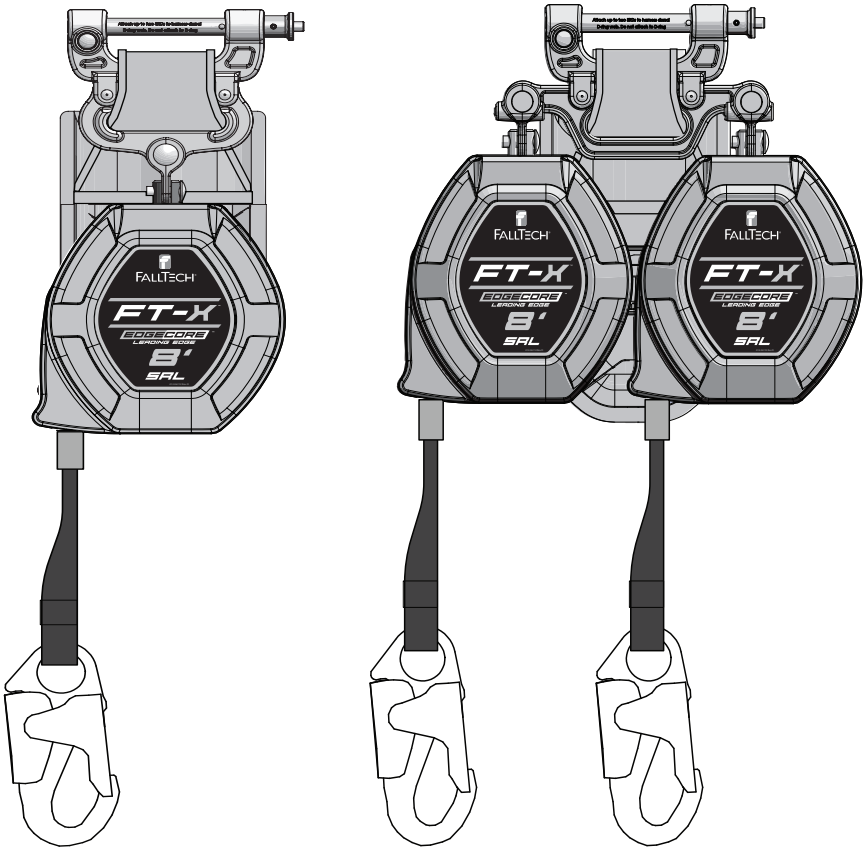




## User Instruction Manual

# FT-X™ EdgeCore™ Class 2 Leading Edge SRL-P



This manual is intended to meet the Manufacturer's Instructions as required by the American National Standards Institute (ANSI) Z359 and Canadian Standards Association (CSA) Z259 and should be used as part of an employee training program as required by the Occupational Safety and Health Administration (OSHA).

FallTech © 2023

1306 South Alameda Street Compton, CA 90221, USA

1-800-719-4619 • 1-323-752-0066

[www.FallTech.com](http://www.FallTech.com)

## Table of Contents

1.0 Warnings and Important Information .....	3
2.0 Description .....	4
3.0 Application .....	6
4.0 System Requirements.....	7
5.0 Installation and Use .....	8
6.0 Maintenance, Service, and Storage.....	14
7.0 Inspection.....	15
8.0 Labels.....	18
9.0 Definitions.....	19

For purposes of this manual, the FT-X™ EdgeCore™ Class 2 Leading Edge SRL-P in all iterations may be referred to collectively as the FT-X, the FT-X, the SRL-P, the leading edge SRL, the SRL, the equipment, the device, the product, or the unit.

Throughout this manual, ANSI Z359.0-2012 fall protection words, phrases and terms are used. These terms are all formally defined in Section 9 of this manual.

Any non-English translations of this user instruction manual are for reference only.

## 1.0 Warnings and Important Information

### **WARNING**

- Avoid moving machinery, thermal, electrical, and/or chemical hazards as contact may cause serious injury or death.
- Avoid swing falls.
- Follow the weight restrictions and recommendations in this manual.
- Remove from service any equipment subjected to fall arrest forces.
- Remove from service any equipment that fails inspection.
- Do not alter or intentionally misuse this equipment.
- Consult FallTech when using this equipment in combination with components or subsystems other than those described in this manual.
- Do not connect rebar hooks, large carabiners, or large snap hooks to the FBH dorsal D-rings as this may cause a roll-out condition and/or unintentional disengagement.
- Use caution when performing arc welding. Arc flash from arc welding operations, including accidental arcs from electrical equipment, can damage equipment and are potentially fatal.
- Examine the work area. Be aware of the surroundings and workplace hazards that may impact safety, security, and the functioning of fall arrest systems and components.
- Hazards may include, but are not limited to, cable or debris tripping hazards, equipment failures, personnel mistakes, or moving equipment such as carts, barrows, fork lifts, cranes, or dollies. Do not allow materials, tools, or equipment in transit to contact any part of the fall arrest system.
- Do not work under suspended loads.

### **IMPORTANT**

This product is part of a personal fall arrest, restraint, work positioning, suspension, or rescue system. A Personal Fall Arrest System (PFAS) is typically composed of an anchorage and a Full Body Harness (FBH), with a connecting device, i.e., a Shock Absorbing Lanyard (SAL), or a Self-Retracting Lanyard (SRL), attached to the dorsal D-ring of the FBH.

These instructions must be provided to the worker using this equipment. The worker must read and understand the manufacturer's instructions for each component or part of the complete system. Manufacturer's instructions must be followed for proper use, care, and maintenance of this product. These instructions must be retained and be kept available for the worker's reference at all times. Alterations or misuse of this product, or failure to follow instructions, may result in serious injury or death.

A Fall Protection Plan must be on file and available for review by all workers. It is the responsibility of the worker and the purchaser of this equipment to assure that users of this equipment are properly trained in its use, maintenance, and storage. Training must be repeated at regular intervals. Training must not subject the trainee to fall hazards.

Consult a doctor if there is reason to doubt your fitness to safely absorb the shock of a fall event. Age and fitness seriously affect a worker's ability to withstand falls. Pregnant women or minors must not use this equipment.

ANSI limits the weight of fall protection equipment users to a maximum of 310 lbs. Products in this manual may have a rated capacity exceeding ANSI capacity limits. Heavy users experience more risk of serious injury or death due to falls because of increased fall arrest forces placed on the user's body. In addition, the onset of suspension trauma after a fall event may be accelerated for heavy users.

The user of the equipment discussed in this manual must read and understand the entire manual before beginning work.

**NOTE:** For more information consult the ANSI Z359 or CSA Z259 body of standards.

## 2.0 Description

The FT-X™ EdgeCore™ Class 2 Leading Edge SRL-P is a self-retracting device for those working at height and may be subject to fall hazards, including leading edge hazards.

This manual includes one Appendix containing figures and tables specific to the FT-X™ EdgeCore™ SRL-P discussed in this manual.

The SRL discussed in this manual may be attached to an overhead anchorage, i.e., from directly over the user's head, or to an anchorage at a maximum of 5' below the user's FBH dorsal D-ring.

Leading edge means the unprotected side and edge of a floor, roof, or form work for a floor or other walking/working surface (such as deck) which changes location as additional floor, roof, decking, or form work sections are placed, formed, or constructed; see Figure 1.

As shown in Figure 2 below, the FT-X EdgeCore has a nylon housing that contains a synthetic lifeline wound onto a spring tensioned drum. The FT-X EdgeCore lifeline is equipped with a lifeline stop and a leg-end connector. When the user is attached, the lifeline extends and retracts with the user movement, automatically maintaining taut lifeline. If a fall occurs, a centrifugal pawl system engages, stopping the lifeline payout. In a fall event, the SRL-FBH Connector will break away from the Shear Connector, and the integral Energy Absorber (EA) will deploy, gradually slowing and arresting the fall.

See Table 1A in Appendix A for product, material, and performance specifications.

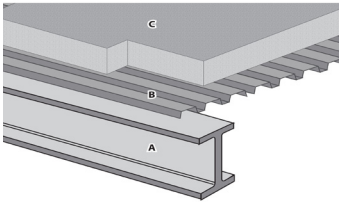


Figure 1 - Typical Extreme Sharp Edges	
<b>A</b>	Structural Steel I-Beams and Purlins
<b>B</b>	Structural Steel I-Beams and Purlins
<b>C</b>	Poured/Precast Concrete and Concrete Block

Examples not intended to depict the full extent of all hazardous sharp edges found on job sites.

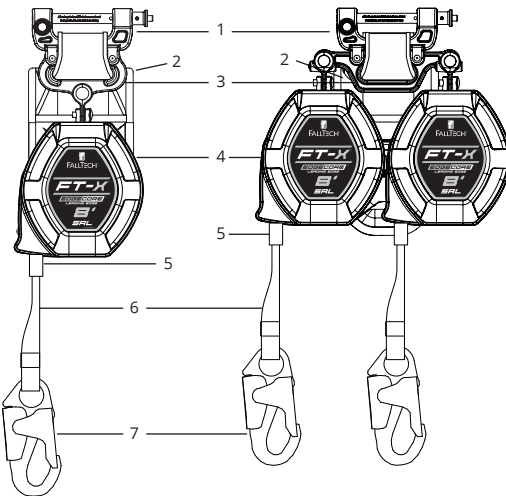


Figure 2 - About the FT-X™ EdgeCore™ Class 2 Leading Edge SRL-P	
<b>1</b>	SRL-FBH Connector
<b>2</b>	Energy Absorber
<b>3</b>	Connector Assembly
<b>4</b>	Housing
<b>5</b>	Lifeline Stop
<b>6</b>	Synthetic Lifeline
<b>7</b>	Snap Hook

## 2.1 American National Standards Institute (ANSI) and Occupational Safety and Health Administration (OSHA):

The SRD discussed in this manual meets the standards of ANSI Z359.14-2021, ANSI A10.32-2012, and Occupational Safety and Health Administration (OSHA) regulations 1926.502 and 1910.140. ANSI requires SRDs be classified according to the type of usage the user would be exposed to, and are tested either as Class 1 or Class 2. Dynamic performance means that the SRD is installed in a testing drop tower. A test weight is attached to the SRD and then dropped. Test results are recorded.

Parameters recorded are:

- Arrest Distance (AD)
- Average Arrest Force (AAF)
- Maximum Arrest Force (MAF)

The Arrest Distance is the total vertical distance required to arrest a fall. The Arrest Distance includes the deceleration distance and the activation distance. The Average Arrest Force is the average of the forces applied to the body and the anchorage by the fall protection system. The Maximum Arrest Force is the maximum amount of force that may be applied to the body and the anchorage by the fall protection system. In addition to the above tests conducted in ambient conditions, the units must be for average and peak forces under certain environmental conditions, where the units are cooled, then tested, heated, then tested, or saturated in water and tested again. Separate units may be used for each test. All test results are recorded.

This test data is then used to establish the basis for fall clearance guidelines published in the user instruction manual.

Class 1 and 2: Class 1 devices shall be used only on overhead anchorages and shall be subjected to a maximum free fall of 2 feet (0.6 m) or less. Class 2 devices are intended for applications where an overhead anchorage may not be available or feasible and be subjected to a free fall of no more than 6 feet (1.8 m) over an edge.

To be declared a Class 1 and Class 2 device, ANSI requires an SRD to have an overhead Arrest Distance of less than 42" (1.1 m), an Average Arrest Force of less than 1,350 lbs (6 kN) [1,575 lbs (7 kN) conditioned] and a Maximum Arresting Force of 1,800 lbs (8 kN), for both ambient and conditioned testing.

When dynamically tested in accordance with requirements of ANSI Z359.14-2021, FallTech Class 1 and Class 2 Self-Retracting Devices have an AAF of 1,350 lbs (6 kN) or less and an AD of less than 42" (1.1 m).

### **Please see Section 5 of this user instruction manual for how to calculate your Minimum Required Fall Clearance (MRFC).**

Class 2 SRL-P's shall include a label illustrating the fall clearance required when using the device. This label shall be affixed to the product. The FT-X EdgeCore Class 2 SRL-P includes this label in the energy absorber cover.

### **Please see Section 5.2 of this user instruction manual for how to calculate your Minimum Required Fall Clearance (MRFC) using the affixed labels.**

Classification information found on product labels is based on test results. Table 1B in Appendix A provides test performance results for the SRD discussed in this manual. **NOTE:** Arrest distance is one of several parts of the Minimum Required Fall Clearance (MRFC). MRFC is discussed in detail in Section 5 .

OSHA requires an SRD limit the free fall to 2 feet (0.9 m) or less. If the maximum free fall distance must be exceeded, the employer must document, based on test data, that the maximum arresting force will not be exceeded, and the personal fall arrest system will function properly. The SRD discussed in this manual was successfully tested for horizontal use and falls over a steel edge without burrs, as found on steel shapes and metal sheeting, and may be used in situations where a fall may occur over similar edges, such as found on steel shapes or metal sheeting. Additional testing has been conducted on a concrete edge substrate, outside and beyond the scope of ANSI Z359. Contact Falltech for more information on this testing.

**2.2 Canadian Standards Organization (CSA):** The FT-X SRL-LE described in this manual, when used per the instruction in this manual meets or exceeds CSA Z259.2.2-2017(R2022). CSA requires that all SRDs be classified according to their respective type, and are classified either as; Class SRL, Class SRL-R, Class SRL-LE, or Class SRL-LE-R. The FT-X SRL-LE Self Retracting Device in this manual is Class SRL-LE.

CSA Test Parameters used in this manual are:

- Arrest Distance (AD)
- Average Arrest Force (AAF)
- Maximum Arrest Force (MAF)

The Arrest Distance is the total vertical distance required to arrest a fall. The Arrest Distance includes the deceleration distance and the activation distance. The Average Arrest Force is the average of the forces applied to the body and the anchorage by the fall protection system. The Maximum Arrest Force is the maximum amount of force that may be applied to the body and the anchorage by the fall protection system. In addition to the above tests conducted in ambient conditions, the units must be retested for average and peak forces under certain environmental conditions, where the units are cooled, then tested, and saturated in water and tested again. Separate units are used for each test. All test results are recorded.

This test data is then used to establish the basis for fall clearance guidelines published in the user instruction manual. See Table 1C.

### 3.0 Application

#### 3.1 Purpose:

The FT-X™ EdgeCore™ Class 2 Leading Edge SRL-P is designed to be used as a component in a Personal Fall Arrest System (PFAS), to provide a combination of worker mobility and fall protection as required for inspection work, general construction, maintenance work, oil production, confined space work, etc. The FT-X™ EdgeCore™ SRL-P may be used as fall protection in Leading Edge applications where falls may occur over leading edges.

#### 3.2 Personal Fall Arrest System:

A PFAS is an assembly of components and subsystems used to arrest a person during a fall event. A PFAS typically consists of an anchorage, a deceleration device such as a Energy Absorbing Lanyard (EAL), a Self-Retracting Device (SRD), or a Fall Arrestor Connecting Subsystem (FACSS), and a properly fitted Full Body Harness (FBH). The SRD discussed in this manual may be used in non-overhead anchorage situations. Maximum permissible free fall in a typical PFAS is 6' (1.8 m). Other applications may be below the D-ring, or horizontally in an approved FallTech SRL rotating anchor, designed for such use.

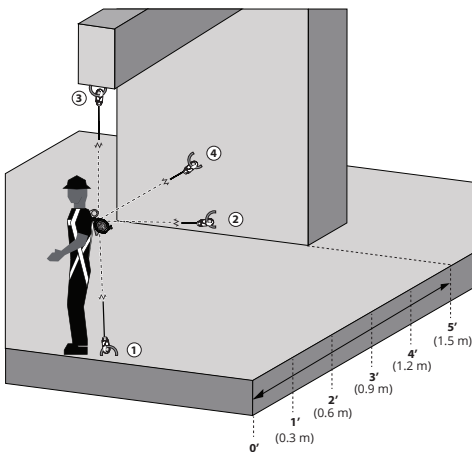


Figure 3 - Anchorage Locations	
1	Anchorage of SRD at Foot Level with 0' Setback from Leading Edge
2	Anchorage of SRD at Foot Level with 5' Setback from Leading Edge
3	Overhead Anchorage of SRD Above Dorsal D-Ring
4	Anchorage of SRD Above Dorsal D-Ring with 5' Setback from Leading Edge

#### 3.3 Horizontal Lifeline (HLL) and Rail Systems:

The SRL may be attached to rigid and flexible anchors provided that all HLL or rail system applications, installation, and uses are under the supervision of a Qualified Person.

### 3.4 Rescue:

Ensure a written rescue plan, method, and system is in place and readily available for rapid response. Rescues may require specialized equipment or measures. Rescue operations are beyond the scope of this manual. See ANSI Z359.4.

### 3.5 Application Limits:

Take action to avoid moving machinery, abrasive surfaces, and thermal, electrical, including the arc from welding applications, and chemical hazards as contact may damage the SRL, which may result in serious injury or death. The SRL is not designed for use in restraint, personnel riding, suspension, or work positioning. Rescue applications are beyond the scope of this manual. Do not use the SRL for these applications except as a back-up PFAS.

## 4.0 System Requirements

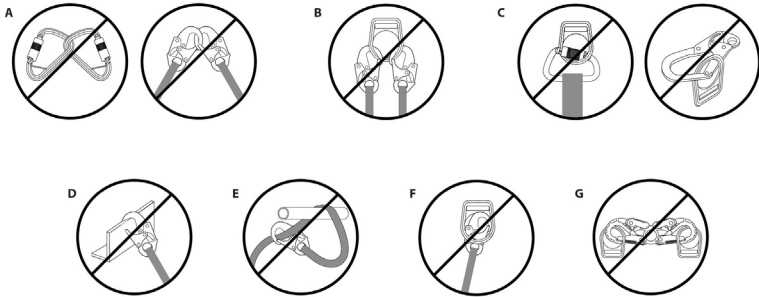
### 4.1 Capacity:

The FT-X™ EdgeCore™ Class 2 Leading Edge SRL-P is designed for use by a single user with a combined weight of user, tools, clothing, etc., of:

- a. 130 - 310 lbs. (59 - 141 kg) to comply with ANSI and OSHA
- b. 130 - 420 lbs. (59 - 191 kg) to comply with OSHA only

### 4.2 Compatibility Of Connectors:

Connectors are considered to be compatible with connecting elements when they have been designed to work together in such a way that their sizes and shapes do not cause their gate mechanisms to inadvertently open regardless of how they become oriented. Contact FallTech if you have any questions about compatibility. Connectors must be compatible with the anchorage or other system components. Do not use equipment that is not compatible, see Figure 4. Non-compatible connectors may unintentionally disengage. Connectors must be compatible in size, shape, and strength. Self-closing, self-locking connectors are required by ANSI and OSHA.



**Figure 4 - Non-Compatible Connections**

<b>A</b>	Never connect two active components (snap hooks or carabiners) to each other.
<b>B</b>	Never connect two active components (snap hooks or carabiners) to a single D-ring at the same time.
<b>C</b>	Never connect in a way that would produce a condition of loading on the gate.
<b>D</b>	Never attach to an object in a manner whereby the gate (of the snap hook or carabiner) would be prevented from fully closing and locking. Always guard against false connections by visually inspecting for closure and lock.
<b>E</b>	Never attach explicitly to a constituent subcomponent (webbing, cable or rope) unless specifically provided for by the manufacturer's instructions for both subcomponents (snap hook or carabiner and webbing, cable, or rope).
<b>F</b>	Never attach in a manner where an element of the connector (gate or release lever) may become caught on the anchor thereby producing additional risk of false engagement.
<b>G</b>	Never attach a spreader snap hook to two side/positioning D-rings in a manner whereby the D-rings will engage the gates; the gates on a spreader must always be facing away from the D-rings during work positioning.

### 4.3 Compatibility Of Components:

Equipment is designed for use with approved components and subsystems only. Substitutions or replacements made with non-approved components or subsystems may jeopardize compatibility of

equipment and may affect the safety and reliability of the complete system.

#### 4.4 Making Connections:

Only use self-locking connectors with this equipment. Only use connectors that are suitable to each application. Ensure all connections are compatible in size, shape, and strength. Do not use equipment that is not compatible. Visually ensure all connectors are fully closed and locked. Connectors are designed to be used only as specified in each product's user instructions.

#### 4.5 Personal Fall Arrest System:

A PFAS is an assembly of components and subsystems used to arrest a person during a fall event. A PFAS is typically composed of an anchorage and a FBH, with an energy absorbing connecting device, i.e., an SAL, an SRL, or a Fall Arrester Connecting Subsystem (FACSS), connected to the dorsal D-ring of the FBH. PFAS components used in conjunction with this SRL should comply with ANSI Z359 requirements and applicable OSHA regulations.

#### 4.6 Average Arrest Force and Arrest Distance:

Table 1B and 1C in Appendix A provide test data on typical performance attributes of the three principal parameters: Arrest Distance, Average Arrest Force, and Maximum Arrest Force, listed by model number and class. Testing is conducted under various environmental conditions, at ambient temperature, hot, cold, and wet conditions. In manufacturer's tests, worst case performance attributes of the SRL, connected 5' below dorsal D-ring in a Leading Edge application are:

5' Below D-Ring, Leading Edge	130 to 310 lbs. (59 to 141 kg)	130 to 420 lbs. (59 to 191 kg)
Longest Arrest Distance	115" (2.9 m)	154" (3.9 m)
Largest Average Arrest Force	917 lbs (4.1 kN)	889 lbs (4.0 kN)
Largest Maximum Arrest Force	1,421 lbs (6.3 kN)	1,605 lbs (7.1 kN)

The Competent Person may find this data useful with planning anchorage location and calculating fall arrest loads and distances from the walking/working level to the nearest obstruction or lower level. See Section 5.

**NOTE:** Arrest distance is one part of the Minimum Required Fall Clearance (MRFC). The MRFC is determined by consideration of multiple factors in fall protection. Attachment below the level of the FBH D-ring will require additional fall clearance. MRFC is discussed in detail in Section 5.

#### 4.7 Personal Fall Arrest System Anchorage Strength:

An anchorage selected for PFAS application must have the strength to sustain a static load applied in the direction permitted by the PFAS of at least:

- Two times the maximum arrest force permitted when certification exists, or
- 5,000 lbs. (22.2 kN) in the absence of certification.

Select an anchorage location carefully. Consider structural strength, obstructions in the fall path, and swing fall hazards. In certain situations, the qualified person can determine that a given structure is able to withstand the applied MAF of the PFAS with a safety factor of at least two, as required by OSHA.

## 5.0 Installation and Use

### WARNING

**Do not alter or intentionally misuse this equipment. Consult FallTech when using this equipment in combination with components or subsystems other than those described in this manual. All components or subsystems used with the SRD discussed in this manual must be in compliance with ANSI Z359, CSA Z259, and/or OSHA.**

**Do not use rebar hooks, large carabiners or large snap hooks to connect to the FBH dorsal D-rings or to any small diameter non-compatible anchor point as this may cause a roll-out condition and/or unintentional disengagement.**



## 5.1 Installation to Full Body Harness

Installation for both Single-leg and Twin-leg configurations of the FT-X™ EdgeCore™ Class 2 Leading Edge SRL-P follow the same steps listed below:

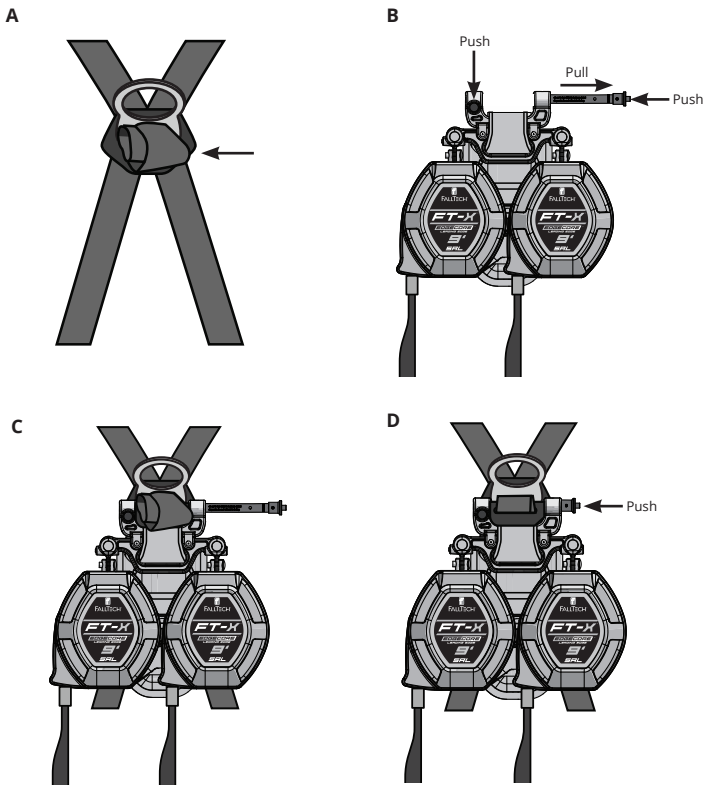
**Step 1:** On the FBH, lift the dorsal D-ring to the up-pointing position, then loosen the intersection of the two web straps that pass through the D-ring slot to create slacked loops of about 2" as shown in Figure 5A. Note that some harnesses may have a built-in tunnel.

**Step 2:** Depress both release buttons and slide the locking bar into the open position as shown in Figure 5B.

**Step 3:** Attach the connector to the slacked loops by inserting the locking bar through the slacked loops as shown in Figure 5C.

**Step 4:** Make sure the locking bar is in the fully inserted and in the locked position, see Figure 5D.

Figure 5 - FT-X™ EdgeCore™ Class 2 Leading Edge SRL-P Installation



## 5.2 Attaching to an Anchorage

Examine the work area for possible hazards. Take caution to avoid overhead hazards such as cranes, poles, overhead power cables, and walking/working surface hazards such as power cables, welding leads, air and fluid hoses, including obstruction hazards such as vertical columns and stacks of materials on the lower level. Eliminate hazards where possible.

Ensure the anchorage provides the Minimum Required Fall Clearance (MRFC) in the fall path below the walking/working surface to prevent striking the lower level or an obstruction during a fall event. Take

action to avoid swing falls, which occur when the anchorage is not directly above the point where the fall occurs.

Fall clearance and swing falls are subject to variable conditions. Anchor height, lateral movement, and setback distance all affect anchor location with regard to fall clearance and swing falls.

The SRL may be attached to an overhead anchor, i.e., above the user's FBH dorsal D-ring, or a non-overhead anchor, i.e., below the user's FBH dorsal D-ring. A non-overhead anchor may be a maximum of 5' (1.5 m) below the user's FBH dorsal D-ring. Non-overhead anchor locations result in greater contact between the lifeline and the edge and present greater abrasion risk hazards.

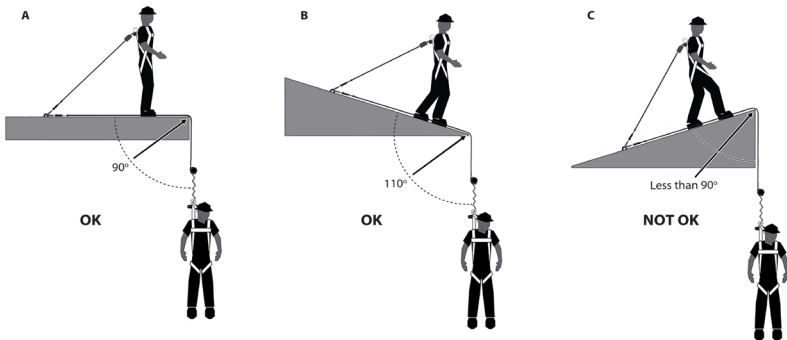
Use of a below D-ring anchorages should be as a last resort, when no other anchor option exists.

Performance testing has shown that a fall event over a leading edge will alter SRL performance characteristics and fall clearance requirements. When anchored below the FBH back D-ring, fall events will result in greater fall clearances. Reduced setback distances will also increase clearance requirements. Non-overhead anchorage when the SRL is set back less than 5' (1.5 m) will result in the greatest MRFC and the least amount of worker mobility due to swing fall. Greater set back distances of 5' (1.5 m) or more will reduce the overall MRFC and allow for more lateral movement of the worker when attached to a non-overhead anchorage.

If job site geometry allows it, a setback distance of 5' (1.5 m) is recommended to take full advantage of the SRL performance. In addition, the Angle of Redirection of the lifeline, i.e., the angle of the lifeline as it passes over the edge, must be at 90 degrees or more, never less, see Figure 6.

Do not attach the anchorage connector in a manner that places the edge higher than the connector, see Figure 6.

**Figure 6 - Leading Edge Angle of Lifeline Redirect**



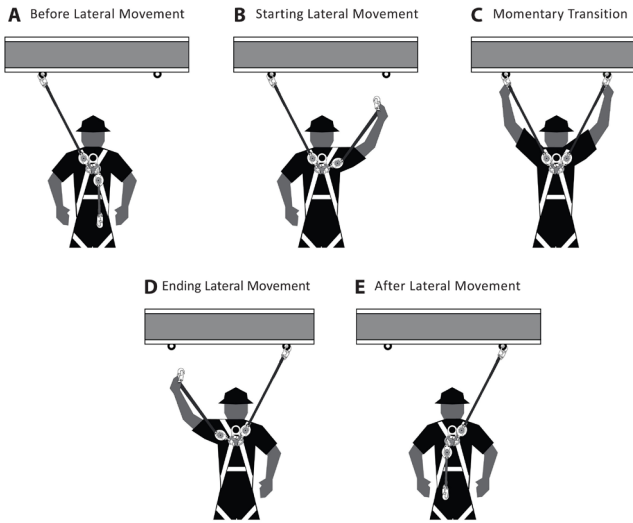
### 5.3 Using the FT-X™ EdgeCore™ Class 2 Leading Edge SRL-P

Before each use, inspect the FT-X™ EdgeCore™ in accordance with Section 7. Remove the device from service if the inspection shows damage or any malfunction.

Don the FBH (with the FT-X™ EdgeCore™ attached) in accordance with the harness manufacturer's instructions. Follow the instructions contained in this manual and on the labels. Failure to follow instructions may result in serious injury or death.

Connect the leg end connector to an approved anchorage point. Ensure the connector closes and locks. In a Twin-leg configuration, attach the unused leg end connector to the FBH's lanyard keeper. Ensure all connections are compatible. Normal operation will allow the working length of the lifeline to extend and retract as the worker moves about. When using a Twin-leg configuration, it is possible to move laterally between anchor points with 100% tie-off as shown in Figure 7.

Figure 7 - Twin-Leg SRL-Ps for Lateral Movement



Avoid sudden or quick movements during the normal work operation, as this may cause the SRL pawl system to engage and possibly cause loss of balance, which may cause injury or death. If a fall occurs, the pawl system will engage and lock the lifeline. The EA will deploy to arrest the fall and limit arrest forces on the user.

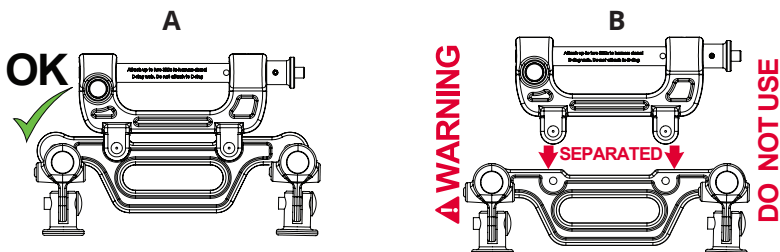
### 5.3.1 Locking Mechanism:

The SRD utilizes an acceleration based locking mechanism. The locking function requires a certain payout rate during a fall event to function correctly. Certain situations, confined or cramped spaces, shifting footing such as sand, gravel, grain, or a sloped surface may not allow the lifeline to reach sufficient speed to activate the lock mechanism. A clear path is required to assure positive locking of the SRD. Ensure the lock is functioning properly. Pull the lifeline out a short distance and give it a sharp tug. The lifeline must lock. If it fails to lock, remove it from service immediately. Ensure the work zone remains within stated parameters. Beware of Leading Edge hazards.

### 5.3.2 Visual Indicator:

The primary visual indicator is the shear connector. The shear connector halves will separate if the SRL-P has been subjected to fall arrest forces, as shown in Figure 8, Image B. If the shear connector is separated, remove the unit from service. For deployed visual indicators, both SRDs and the energy absorber shall be removed from service and destroyed. SRD units shall not be salvaged and re-used with other energy absorber(s).

Figure 8 - Visual Indicator



### 5.3.3 After A Fall:

A fall event over an edge may require special rescue equipment and measures. Ensure a written rescue plan, method and system is in place and readily available to all users for rapid response. Ensure all users are trained in rescue procedures. If a fall event occurs, remove it from service, and store it separately. Remove from service any unit that has been subjected to fall arrest forces or that exhibits damage consistent with such forces. For questions, contact FallTech.

### 5.3.4 Using the SRD:

Do not use the SRD if inspection shows damage or any malfunction. Don the FBH in accordance with the FBH manufacturer's instructions. Follow the instructions contained in this manual and on the labels. Failure to follow instructions may result in serious injury or death. Connect the SRL-FBH Connector to the dorsal D-ring on the FBH. Ensure the connector closes and locks. Attach the leg-end carabiner to the chosen anchorage and ensure the leg-end connector closes and locks. Ensure all connections are compatible. Normal operation will allow the working length of the lifeline to extend and retract as the worker moves about. A certain amount of tension must remain on the cable at all times to ensure proper operation of the internal brake. Do not allow the lifeline to become slack. If the lifeline becomes slack, remove the SRD from service for inspection. See Section 7.

Avoid sudden or quick movements during the normal work operation, as this may cause the SRD brake to engage and possibly cause loss of balance and injury or death.

If a fall occurs, the brake will engage and lock the lifeline. The EA will deploy to arrest the fall and limit arrest forces on the user.

- DO NOT extend the lifeline past the operational limit.
- DO NOT allow one SRD lifeline to become tangled or twisted with another SRD lifeline during use.
- DO NOT allow any lifeline to pass under arms or between legs during use.
- DO NOT clamp, knot, or prevent the lifeline from retracting or being taut.
- DO NOT lengthen the SRD by connecting a lifeline or similar component.
- DO NOT allow the lifeline to remain outside the housing when not in use.

### 5.3.4 CSA Z259.2.2-17(R2022) Deployment Data:

Deployment is equal to deployment factor times free-fall distance, h. See table below for deployment factor.

Deployment Factor for a 140 kg mass	0.9
Maximum Deployment Distance (Overhead Anchorage)	3.2 ft (0.97 m)
Maximum Deployment Distance (1.8 m (6 ft) Free Fall)	6.7 ft (2.0 m)
Average Deployment Force	672 lbs (3.0 kN)
Maximum Arrest Force	1,605 lbs (7.1 kN)

## 5.4 Calculating Minimum Required Fall Clearance

### 5.4.1 FT-X in Overhead, Non-Leading Edge Anchorage Application [130 to 310 lbs. (59 to 141 kg) user]

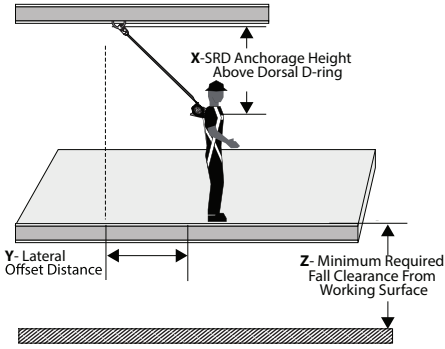
The FT-X may be used may be used as a standard SRD in an overhead condition, in which the SRD is installed anywhere in the allowable attachment area, which ranges from directly above the user to level with the FBH D-ring, as shown in Figures 9.

The overhead condition minimum required fall clearance (MRFC) is calculated using four metrics, measured from the walking-working surface: SRD Deceleration Distance, D-Ring Shift and Harness Stretch [1 ft (0.3m)], Safety Factor [1.5 ft (0.5m)], and Swing Fall. The diagram in Figure 11 is calculated using the performance data of the SRD and includes all four metrics listed previously to determine the MRFC.

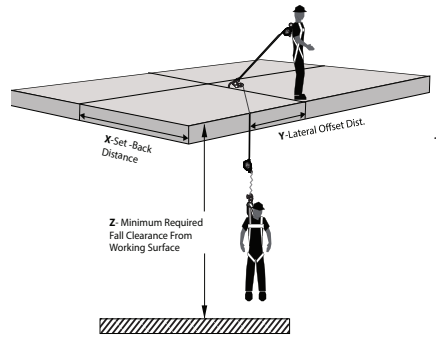
### 5.4.2 FT-X with a Non-Overhead Anchorage Leading Edge Anchorage Application [130 to 310 lbs. (59 to 141 kg) user]

The leading edge/below D-ring condition minimum required fall clearance (MRFC) is calculated using five metrics, measured from the walking-working surface: SRD Deceleration Distance, D-Ring Shift and Harness Stretch [1 ft (0.3m)], Safety Factor [1.5 ft (0.5m)], Dorsal D-ring Height [5 ft (1.5m)], and Swing Fall. Dorsal D-ring height is added to account for the below D-ring tie-off compared to the overhead condition.

**Figure 9 - MRFC Overhead Anchorage**

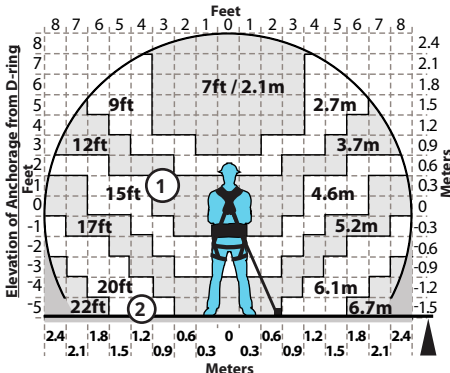


**Figure 10 - MRFC Non-Overhead Anchorage**



**Figure 11 - FT-X Minimum Required Fall Clearance for 130 to 310 lbs. (59 to 141 kg) Users**

**Horizontal Distance to Anchor from Dorsal D-Ring**



**Minimum Required Fall Clearance Indicated in figure above**  
**MINIMUM REQUIRED FALL CLEARANCE FOR**

**130-310 lb (59-141kg) USER**

1 foot (0.3 m) increments along the X-Axis represents the <b>Horizontal Distance to Anchor</b> the user is working away from the SRD	1 foot (0.3 m) increments up the Y-Axis represent the <b>Elevation of the Anchorage</b> from the user's Dorsal D-Ring
--	---

**Example 1:**  
 If the user is working 3 feet (0.9 m) away from the SRD, and the SRD is anchored between the user's Dorsal D-Ring or up to 2.0 ft (0.6 m) above the D-Ring. Minimum required fall clearance is 12 feet (3.7m) including swing fall.

**Example 2:**  
 If the user needs to work 4 feet (1.2 m) away from the SRD along the edge, and the SRD is anchored at foot level, the minimum required fall clearance is 20 feet (6.1m) including swing fall.

**5.4.3 FT-X in Overhead, Non-Leading Edge Anchorage Application [310 to 420 lbs. (141 to 111 kg) user]**

The FT-X may be used as a standard SRD in an overhead condition, in which the SRD is installed anywhere in the allowable attachment area, which ranges from directly above the user to level with the FBH D-ring, as shown in Figures 9.

The overhead condition minimum required fall clearance (MRFC) is calculated using four metrics, measured from the walking-working surface: SRD Deceleration Distance, D-Ring Shift and Harness Stretch [1 ft (0.3m)], Safety Factor [1.5 ft (0.5m)], and Swing Fall. The diagram in Figure 14 is calculated using the performance data of the SRD and includes all four metrics listed previously to determine the MRFC.

### 5.4.4 FT-X with a Non-Overhead Anchorage Leading Edge Anchorage Application

[310 to 420 lbs. (141 to 191 kg) user]

The leading edge/below D-ring condition minimum required fall clearance (MRFC) is calculated using five metrics, measured from the walking-working surface: SRD Deceleration Distance, D-Ring Shift and Harness Stretch [1 ft (0.3m)], Safety Factor [1.5 ft (0.5m)], Dorsal D-ring Height [5 ft (1.5m)], and Swing Fall. Dorsal D-ring height is added to account for the below D-ring tie-off compared to the overhead condition.

Figure 12 - MRFC Overhead Anchorage

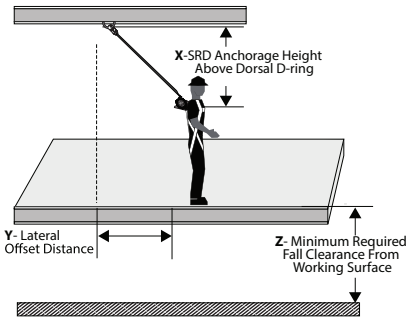


Figure 13 - MRFC Non-Overhead Anchorage

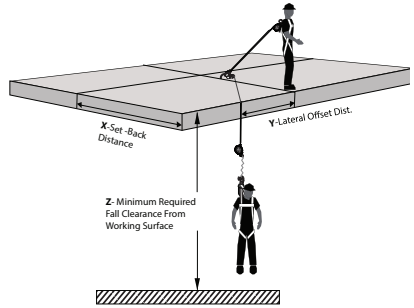
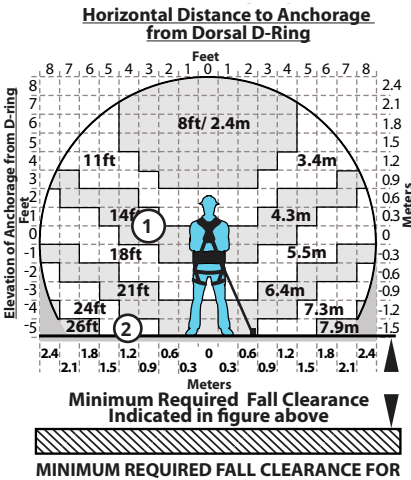


Figure 14 - FT-X Minimum Required Fall Clearance for 310 to 420 lbs. (141 to 191 kg) Users



310-420 lb (141-191kg) USER

<p>1 foot (0.3 m) increments along the X-Axis represents the <b>Horizontal Distance to Anchorage</b> the user is working away from the SRD</p>	<p>1 foot (0.3 m) increments up the Y-Axis represent the <b>Elevation of the Anchorage</b> from the user's Dorsal D-Ring</p>
--	--

**Example 1:**  
If the user is working 3 feet (0.9 m) away from the SRD, and the SRD is anchored between the user's Dorsal D-Ring or up to 1.0 ft (0.3 m) above the D-Ring. Minimum required fall clearance is 14 feet (4.3 m) including swing fall.

**Example 2:**  
If the user needs to work 4 feet (1.2 m) away from the SRD along the edge, and the SRD is anchored at foot level, the minimum required fall clearance is 24 feet (7.3 m) including swing fall.

## 6.0 Maintenance, Service, and Storage

### 6.1 Maintenance:

Ensure the SRL is kept free of excess paint, grease, dirt or other contaminants as this may cause the lifeline or retracting mechanism to malfunction. Ensure no debris enters the housing. Clean the exterior of the unit as required with a detergent/water solution. Do not allow water or other corrosion

causing elements to enter the housing. After cleaning, pull the lifeline all the way out, allow the unit to air dry, then retract the lifeline into the unit. Clean labels as required.

DO NOT use heat to dry.

DO NOT attempt to disassemble the SRL.

### 6.2 Service:

If service is required for any reason, such as inspection failure, impact loading, any type of malfunction, tag the unit as "UNUSABLE" and remove from service. This product includes a feature that enables the integral SRDs to be replaced individually if the SRD lifeline is worn or damaged during normal use. Any damage to the shock pack or deployed visual indicator cannot and shall not be serviced or repaired. Once removed from service, the SRD unit can be removed and replaced using the 5049 Spanner Tool. SRD unit replacement shall only be performed by a Competent Person or an Authorized FallTech Repair Center. Read and follow the Spanner Tool User Instruction Manual (448-00009). Failure to do so can cause the SRL to function improperly, which can result in serious injury or death. SRL must be inspected by a Competent Person before returning to service. To request a 5049 Spanner Tool, contact FallTech. Note: Only 8' length FT-X EdgeCores are field serviceable.

### 6.3 Storage:

Store the FT-X EdgeCore in a cool, dry, clean environment out of direct sunlight. Position the SRL so excess water can drain out. Avoid exposure to chemical or caustic vapors. Thoroughly inspect the SRL after any period of extended storage.

## 7.0 Inspection

### 7.1 Pre-Use User Inspection:

Perform an inspection before each use in accordance with the recommendations in Table 1 below.

Table 1 - Guidelines for FT-X EdgeCore SRL Inspection		
Inspection	Pass	Fail
The lifeline should extract and retract completely and without faltering and should remain taut under tension without sagging.		
Extract the lifeline several inches and apply a firm pull to confirm the SRL locks. The locking should be certain and without skidding. Repeat this lockup at additional places along the lifeline length to confirm the SRL is operating correctly.		
Inspect entire length of the lifeline for abrasion, broken or unraveled yarns, burns, cuts or knots. Inspect for damage from dirt, paint, grease, or oil. Inspect for discoloration or other damage caused by chemical exposure or excessive heat. Inspect for cracking or other damage from extreme exposure to ultraviolet light. If any of these conditions exist, remove the SRL-P from service immediately.		
Examine the SRL-FBH Connector for cracks, breaks, or warping. Ensure the locking bar locks in the locked position.		
Check the Energy Absorber for rips, tears, or other damage.		
Check the Connector Assembly for cracks, deformations, or other damage.		
Examine the overall SRL unit for any indications of deterioration or damage.		
All labels must be intact and legible.		

**If an inspection reveals defects or damage to the equipment, remove the equipment from service.**

### 7.2 Inspection Frequency:

Inspection by a competent person at regular intervals is required. The competent person will use the information in Table 2, SRL Inspection Recommendations, to determine the inspection frequency. Use Table 2 to determine the inspection frequency. Inspection by a factory authorized inspection entity at regular intervals is also recommended.

### 7.3 Inspection Checklist:

Use Table 1: Guidelines for Cable SRL Inspection to inspect the SRL.

### 7.4 Inspection Results:

If an inspection reveals defects in or damage to the equipment, inadequate maintenance, or activated fall indicators, remove the equipment from service.

### 7.5 Inspection Document:

Record inspection results on the Inspection Record provided below or on a similar document.

**Table 2 - ANSI Z359.14-2021 SRL Inspection Recommendations**

<b>Type of Use</b>	<b>Application Examples</b>	<b>Conditions of Use</b>	<b>Inspection Frequency Competent Person</b>
<b>Infrequent to Light Use</b>	Rescue and Confined Space, Factory Maintenance	Good Storage Conditions, Indoor or Infrequent Outdoor use, Room Temperature, Clean Environments	Annually
<b>Moderate to Heavy Use</b>	Transportation, Residential Construction, Utilities, Warehouse	Fair Storage Conditions, Indoor and extended outdoor use, All temperatures, Clean or dusty environments	Semi-annually to Annually
<b>Severe to Continuous Use</b>	Commercial Construction, Oil and Gas, Mining	Harsh Storage Conditions, Prolonged or Continuous outdoor Use, all temperatures, Dirty environments	Quarterly to Semi-annually







## 9.0 Definitions

The following are general definitions of fall protection terms as defined by ANSI Z359.0-2012.

**Anchorage:** A secure connecting point or a terminating component of a fall protection system or rescue system capable of safely supporting the impact forces applied by a fall protection system or anchorage subsystem.

**Anchorage Connector:** A component or subsystem that functions as an interface between the anchorage and a fall protection, work positioning, rope access or rescue system for the purpose of coupling the system to the anchorage.

**Arrest Distance:** The total vertical distance required to arrest a fall. The arrest distance includes the deceleration distance and activation distance.

**Authorized Person:** A person assigned by the employer to perform duties at a location where the person will be exposed to a fall hazard.

**Available Clearance:** The distance from a reference point, such as the working platform, to the nearest obstruction that an authorized person might contact during a fall which, if struck, could cause injury.

**Capacity:** The maximum weight that a component, system or subsystem is designed to hold.

**Certification:** The act of attesting in writing that the criteria established by these standards or some other designated standard have been met.

**Certified Anchorage:** An anchorage for fall arrest, positioning, restraint or rescue systems that a qualified person certifies to be capable of supporting the potential fall forces that could be encountered during a fall.

**Clearance:** The distance from a specified reference point, such as the working platform or anchorage of a fall arrest system, to the lower level that a worker might encounter during a fall.

**Clearance Requirement:** The distance below an authorized person that must remain clear of obstructions in order to ensure that the authorized person does not make contact with any objects that would cause injury in the event of a fall.

**Competent Person:** An individual designated by the employer to be responsible for the immediate supervision, implementation and monitoring of the employer's managed fall protection program who, through training and knowledge, is capable of identifying, evaluating and addressing existing and potential fall hazards, and who has the employer's authority to take prompt corrective action with regard to such hazards.

**Component:** An element or integral assembly of interconnected elements intended to perform one function in the system.

**Connecting Subsystem:** An assembly, including the necessary connectors, comprised of all components, subsystems, or both, between the anchorage or anchorage connector and the harness attachment point.

**Connector:** A component or element that is used to couple parts of the system together.

**Deceleration Distance:** The vertical distance between the user's fall arrest attachment at the onset of fall arrest forces during a fall, and after the fall arrest attachment comes to a complete stop.

**Energy (Shock) Absorber:** A component whose primary function is to dissipate energy and limit deceleration forces which the system imposes on the body during fall arrest.

**Fall Arrest:** The action or event of stopping a free fall or the instant where the downward free fall has been stopped.

**Fall Hazard:** Any location where a person is exposed to a potential free fall.

**Free Fall:** The act of falling before a fall protection system begins to apply forces to arrest the fall.

**Free Fall Distance:** The vertical distance traveled during a fall, measured from the onset of a fall from a walking working surface to the point at which the fall protection system begins to arrest the fall.

**Harness, Full Body:** A body support designed to contain the torso and distribute the fall arrest forces over at least the upper thighs, pelvis, chest and shoulders.

**Horizontal Lifeline:** A component of a horizontal lifeline subsystem, consisting of a flexible line with connectors or other coupling means at both ends for securing it horizontally between two anchorages or anchorage connectors.

**Horizontal Lifeline Subsystem:** An assembly, including the necessary connectors, comprised of a horizontal lifeline component and, optionally, of: a) An energy absorbing component or, b) A lifeline tensioner component, or both. This subsystem is normally attached at each end to an anchorage or anchorage connector. The end anchorages have the same elevation.

**Lanyard:** A component consisting of a flexible rope, wire rope or strap, which typically has a connector at each end for connecting to the body support and to a fall arrester, energy absorber, anchorage connector or anchorage.

**Lanyard Connecting Subsystem:** An assembly, including the necessary connectors, comprised of a lanyard only, or a lanyard and energy absorber.

**Personal Fall Arrest System (PFAS):** An assembly of components and subsystems used to arrest a person in a free fall.

**Positioning:** The act of supporting the body with a positioning system for the purpose of working with hands free.

**Positioning Lanyard:** A lanyard used to transfer forces from a body support to an anchorage or anchorage connector in a positioning system.

**Qualified Person:** A person with a recognized degree or professional certificate and with extensive knowledge, training and experience in the fall protection and rescue field who is capable of designing, analyzing, evaluating and specifying fall protection and rescue systems.


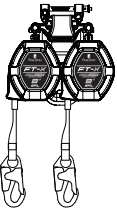
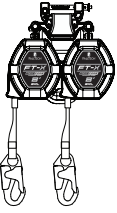
**Self-Retracting Device (SRD):** A device that contains a drum wound line that automatically locks at the onset of a fall to arrest the user, but that pays out from and automatically retracts onto the drum during normal movement of the person to whom the line is attached.

**Snaphook:** A connector comprised of a hook-shaped body with a normally closed gate or similar arrangement that may be opened to permit the hook to receive an object and, when released, automatically closes to retain the object.

**Swing Fall:** A pendulum-like motion that occurs during and/or after a vertical fall. A swing fall results when an authorized person begins a fall from a position that is located horizontally away from a fixed anchorage.

APPENDIX A

**Table 1A: Specifications for FT-X™ EdgeCore™ Class 2 Leading Edge SRL-Ps**

Model #	Lifeline Material	Working Length and Weight	Materials and Specifications	Capacity and Standards	Images
84108SP0 84108SP0S 84108SP1 84108SP2 84108SP3 84108SP3S 84107SP3X 84108SP5 84108SP6	HMPE/Kevlar/ Polyester	8 ft. (2.4 m) 5.8 lbs. (2.6 kg)	Housing: Nylon  Anchorage Carabiner: 5,000 lbs (22.2 kN)with 3,600 lbs (16 kN) Gate Strength  SRL-FBH Connector: Forged Aluminum 3,600 lbs (16 kN) Minimum	Single User Capacity for ANSI/CSA Compliance: 130 to 310 lbs. (59 to 141 kg)  Single User Capacity for OSHA Compliance: 130 to 420 lbs. (59 to 191 kg)  ANSI Z359.14-2021 Class 2 SRL-P  CSA Z259.2.2- 17(R2022) SRL-LE  OSHA 1926.502 OSHA 1910.140	
84106TP0 84106TP1 84106TP3		6 ft. (1.8 m) 7.2 lbs. (3.3 kg)			
84108TP0 84108TP0S 84108TP1 84108TP2 84108TP3 84108TP3S 84107TP3X 84108TP5 84108TP6		8 ft. (2.4 m) 7.3 lbs. (3.3 kg)			

**Table 1B: FT-X™ EdgeCore™ Class 2 SRL-P ANSI/OSHA Performance Attributes**

Part #s and Conditions		Typical Performance for 130 to 310 lbs. (59-141 kg) User			Typical Performance for 130 to 420 lbs. (59-191 kg) User			ANSI Performance Requirements 130 to 310 lbs. (59-141 kg) User		
Part #	Anchorage Condition	Arrest Distance	Average Arrest Force	Maximum Arrest Force	Arrest Distance	Average Arrest Force	Maximum Arrest Force	Maximum Arrest Distance	Average Arrest Force *Conditioned	Maximum Arrest Force
All Part Numbers in Table 1A	Overhead Non-Leading Edge	40.4" (1.0 m)	917 lbf. (4.1 kN)	1,421 lbf. (6.3 kN)	56" (1.4 m)	861 lbf. (3.8 kN)	1,336 lbf. (5.9 kN)	42" (1.1 m)	1,575 lbf. (7.0 kN)	1,800 lbs. (8 kN)
	Leading Edge Condition, 5' Below D-Ring	115" (2.9 m)	866 lbf. (3.9 kN)	1,292 lbf. (5.7 kN)	154" (3.9 m)	889 lbf. (4.0 kN)	1,605 lbf. (7.1 kN)	N/A	N/A	

**Table 1B: FT-X™ EdgeCore™ SRL-LE CSA Performance Attributes**

Part #s and Conditions		Typical Performance for 130 to 310 lbs. (59-141 kg) User			CSA Performance Requirements 130 to 310 lbs. (59-141 kg) User		
Part #	Anchorage Condition	Deployment Distance	Average Deployment Force	Maximum Arrest Force	Maximum Deployment Distance	Average Deployment Force	Maximum Arrest Force
All Part Numbers in Table 1A	Overhead Non-Leading Edge	1.0 m (38.4")	4.1 kN (923 lbf)	6.2 kN (1,393 lbf)	1.2 m (47.2")	6.0 kN (1,350 lbf)	8.0 kN (1,800 lbf)
	Leading Edge Condition, 5' Below D-Ring	1.6 m (64.2")	4.2 kN (948 lbf)	6.8 kN (1530 lbf)	N/A	N/A	

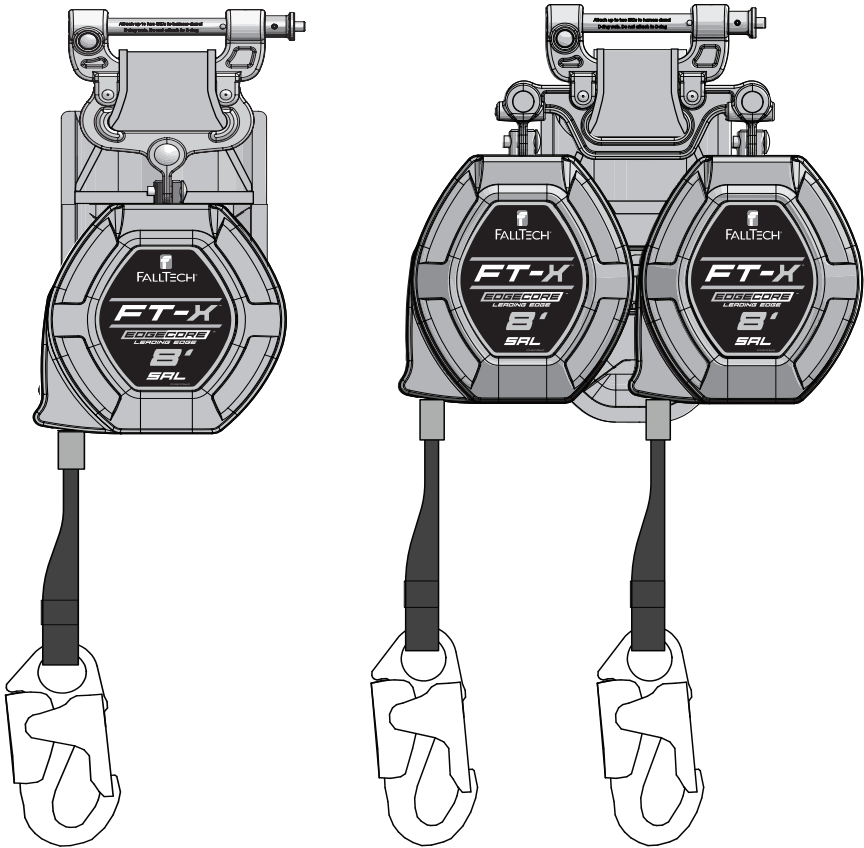
**Table 1C: 8' FT-X™ EdgeCore™ Replacement SRD Part Numbers**

Part #	Leg-end Connector
5049	N/A; Spanner Tool
84108RP0	Steel Mini Rebar Hook
84108RP0S	Steel Swivel Mini Rebar Hook
84108RP1	Steel Snap Hook
84108RP2	Steel Swivel Snap Hook
84108RP3	Steel Rebar Hook
84108RP3S	Steel Swivel Rebar Hook
84108RP3X	Steel Extra Large Rebar Hook
84108RP5	Aluminum Rebar Hook
84108RP6	Aluminum Captive-Eye Carabiner



## Manual de Instrucciones para el Usuario

### FT-X™ EdgeCore™ Class 2 Leading Edge SRL-P



El objetivo de este manual es cumplir con las instrucciones del fabricante según lo exige el American National Standards Institute (ANSI) Z359 y la Canadian Standards Association (CSA) Z259 y debe utilizarse como parte de un programa de capacitación para empleados según lo establece la Administración de Seguridad y Salud Ocupacional (OSHA).

FallTech © 2023

1306 South Alameda Street Compton, CA 90221, EE UU

1-800-719-4619 • 1-323-752-0066

[www.FallTech.com](http://www.FallTech.com)

## Índice

1.0 Advertencias e información importante .....	25
2.0 Descripción .....	26
3.0 Aplicación .....	28
4.0 Requisitos del sistema .....	29
5.0 Instalación y uso .....	31
6.0 Mantenimiento, servicio y almacenamiento....	37
7.0 Inspección .....	38
8.0 Etiquetas.....	41
9.0 Definiciones .....	42

A los fines de este manual, el FT-XTM EdgeCore<sup>TM</sup> Class 2 Leading Edge SRL-P en todas las iteraciones puede denominarse colectivamente como el FT-X, el FT-X, el SRL-P, el SRL de borde delantero, el SRL, el equipo, el dispositivo, el producto o la unidad.

En este manual, se utilizan palabras, frases y términos de protección contra caídas de ANSI Z359.0-2012. Todos estos términos se definen formalmente en la Sección 9 de este manual.



## 1.0 Advertencias e información importante

### ADVERTENCIA

- Evite los peligros de maquinaria, térmicos, eléctricos y/o químicos, ya que el contacto puede causar lesiones graves o la muerte.
- Evite las caídas con balanceo.
- Tenga en cuenta las restricciones relacionadas con el peso y las recomendaciones que se dan en este manual.
- Retire del servicio cualquier equipo que se vea sometido a fuerzas de detención de caídas.
- Retire del servicio cualquier equipo que no apruebe los procesos de revisión.
- No modifique o utilice intencionalmente de manera equivocada este equipo.
- Consulte con FallTech cuando pretenda utilizar este equipo en combinación con elementos o subsistemas diferentes a los descritos en este manual.
- No conecte al anillo en "D" dorsal del FBH ganchos de barras de refuerzo, mosquetones grandes o ganchos de presión grandes, ya que esto puede provocar un lanzamiento y/o desenganche involuntario.
- Sea cuidadoso cuando realice soldadura por arco. Los destellos de arco que pueden producirse en las operaciones de soldadura por arco, incluyendo arcos eléctricos accidentales que se produzcan en el equipo de soldadura, pueden dañar éste y son potencialmente mortales.
- Revise el área de trabajo. Esté pendiente de las condiciones del entorno y de los riesgos laborales que puedan afectar la seguridad, el nivel de protección y el funcionamiento, de los sistemas y elementos integrantes de prevención de caídas.
- Los peligros pueden incluir, entre otros, riesgos de tropiezos con cables o escombros, fallas del equipo, errores del personal o equipo en movimiento, como carros, carretillas, montacargas, grúas o plataformas rodantes. No permita que los materiales, herramientas o equipos en tránsito entren en contacto con ninguna parte del sistema de detención de caídas.
- No trabaje por debajo de cargas suspendidas.

### IMPORTANTE

Este producto es parte de un sistema personal de detención de caídas, restricción, posicionamiento de trabajo, suspensión o rescate. Un sistema personal de detención de caídas (PFAS) generalmente se compone de un anclaje y un arnés de cuerpo completo (FBH), con un dispositivo de conexión, es decir, una cuerda de seguridad amortiguadora de impactos (SAL) o una cuerda de seguridad auto-retráctil (SRL), conectada a el anillo en D dorsal del FBH.

Estas instrucciones se deben entregar al trabajador junto con este equipo. El trabajador debe leer y comprender las instrucciones que el fabricante da para cada componente o pieza del sistema completo. Las instrucciones del fabricante deben ser tenidas en cuenta para dar el uso, cuidado y mantenimiento correctos, de este producto. Estas instrucciones deben conservarse y tenerse en todo momento a disposición del trabajador para su referencia. Las modificaciones o el mal uso de este producto, o el desconocimiento de las instrucciones, pueden ocasionar lesiones graves o incluso la muerte.

Un Plan de Protección Contra Caídas debe estar disponible en el archivo para su revisión por parte de todos los trabajadores. Tanto el trabajador como el comprador de este equipo son responsables de garantizar que las personas que lo utilicen estén debidamente capacitadas para su uso, mantenimiento y almacenamiento. La capacitación debe repetirse periódicamente. La capacitación no debe someter a la persona que la toma a situaciones que impliquen peligro de caída.

Consulte a un médico si hay razones para dudar de su aptitud para absorber con seguridad el impacto de un evento de caída. La edad y el estado físico afectan gravemente a la capacidad de los trabajadores para soportar caídas. Las mujeres embarazadas y los menores de edad no deben utilizar este equipo.

ANSI limita el peso de los usuarios de equipos de protección contra caídas a un máximo de 310 libras. Los productos de este manual pueden tener una capacidad nominal que exceda los límites de capacidad ANSI. Los usuarios pesados experimentan un mayor riesgo de lesiones graves o la muerte debido a caídas por el aumento de las fuerzas de detención de caídas aplicadas al cuerpo del usuario. Además, la aparición de traumatismos por suspensión después de una caída puede acelerarse para usuarios de mayor peso.

El usuario del equipo que se describe en este manual debe leer y comprender el manual completo

antes de empezar a trabajar con él. NOTA: Para obtener más información, consulte el corpus normativo ANSI Z359 o CSA Z259.

## 2.0 Descripción

El FT-X EdgeCore Class 2 Leading Edge SRL-P es un dispositivo autorretráctil para aquellos que trabajan en altura y podrían estar sujetos a riesgos de caídas, incluidos los riesgos de borde delantero.

Este manual incluye un Apéndice que contiene figuras y tablas específicas para el FT-X EdgeCore SRL-P que se analiza en este manual.

El SRL que se analiza en este manual se puede conectar a un anclaje superior, es decir, directamente sobre la cabeza del usuario, o a un anclaje a un máximo de 5' (1,5 m) por debajo del anillo en D dorsal del FBH del usuario.

Borde delantero significa el lado y el borde desprotegidos de un piso, techo o encofrado para un piso u otra superficie de desplazamiento/trabajo (como una plataforma) que cambia de ubicación a medida que se colocan, forman o construyen secciones adicionales de piso, techo, encofrado o entarimado; ver Figura 1.

Como se muestra en la Figura 2 a continuación, el FT-X EdgeCore tiene una carcasa de nailon que contiene una cuerda de salvamento sintética enrollada en un tambor tensado por resorte. La cuerda de salvamento FT-X EdgeCore está equipada con un tope de cuerda de salvamento y un conector de extremo de pierna. Cuando el usuario está conectado, la cuerda de salvamento se extiende y se retrae con el movimiento del usuario, manteniendo automáticamente la tensión en la cuerda de salvamento. Si se produce una caída, se activa un sistema de trinquete centrífugo que detiene el desenrollamiento de la cuerda de salvamento. En caso de caída, el conector SRL-FBH se separará del conector de corte y el atenuador de energía integral (EA) se desplegará, reduciendo gradualmente la velocidad y deteniendo la caída.

Consulte la Tabla 1A en el Apéndice A para conocer las especificaciones del producto, el material y el rendimiento.

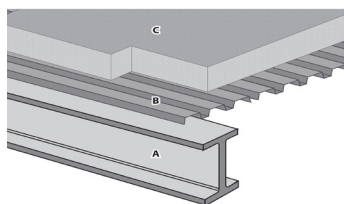


Figura 1 - Bordes afilados extremos habituales	
<b>A</b>	Vigas en I de acero estructural y correas
<b>B</b>	Cubierta de acero y techos de metal
<b>C</b>	Hormigón vertido/prefabricado y bloques de hormigón

**Los ejemplos no tienen la finalidad de representar el alcance total de todos los bordes afilados y peligrosos que pueden encontrarse en una obra.**

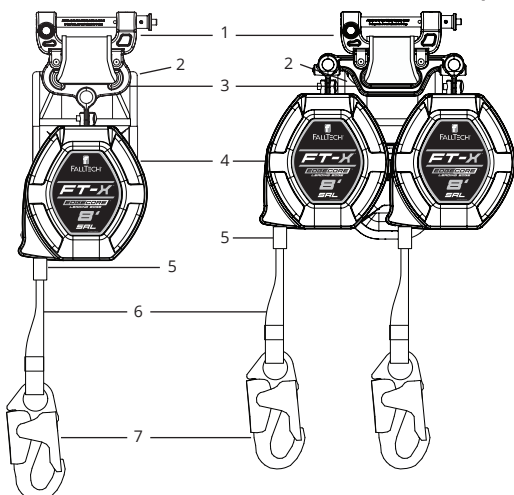


Figura 2: Acerca del FT-X EdgeCore Class 2 Leading Edge SRL-P	
<b>1</b>	Conector SRL-FBH
<b>2</b>	Amortiguador de energía
<b>3</b>	Montaje de conector
<b>4</b>	Alojamiento
<b>5</b>	Tope de cuerda de salvamento
<b>6</b>	Cuerda de salvamento sintética
<b>7</b>	Gancho

**2.1 Instituto Nacional Estadounidense de Estándares (ANSI) y Administración de Salud y Seguridad Ocupacional (OSHA):** El SRD descrito en este manual cumple con los estándares de ANSI Z359.14-2021, ANSI A10.32-2023 y las regulaciones 1926.502 y 1910.140 de la Administración de Seguridad y Salud Ocupacional (OSHA). ANSI requiere que los SRD se clasifiquen de acuerdo con el tipo de uso al que estaría expuesto el usuario, y se prueben para Clase 1 o Clase 2. El rendimiento dinámico significa que el SRD se instala en una torre de caída de prueba. Se conecta un peso de prueba al SRD y luego se deja caer. Los resultados de las pruebas se registran.

Los parámetros registrados son:

- Distancia de detención (AD)
- Fuerza de detención promedio (AAF)
- Fuerza de detención máxima (MAF)

La distancia de detención es la distancia vertical total requerida para detener una caída. La distancia de detención incluye la distancia de desaceleración y la distancia de activación. La fuerza de detención promedio es el promedio de las fuerzas aplicadas al cuerpo y al anclaje mediante el sistema de protección contra caídas. La fuerza máxima de detención es la cantidad máxima de fuerza que el sistema de protección contra caídas puede aplicar al cuerpo y al anclaje. Además de las pruebas anteriores realizadas en condiciones ambientales, las unidades deben volver a probarse para medir fuerzas promedio y pico bajo ciertas condiciones ambientales, donde las unidades se enfrían, luego se prueban, se calientan, luego se prueban o se saturan en agua y se prueban nuevamente. Se pueden usar unidades separadas para cada prueba. Se registran todos los resultados de las pruebas.

Estos datos de prueba se utilizan para establecer la base de las pautas de distancia despejada de caídas publicadas en el manual de instrucciones del usuario.

**Clase 1 y 2:** Los dispositivos de Clase 1 deben usarse solo en anclajes elevados y deben estar sujetos a una caída libre máxima de 2 pies (0,6 m) o menos. Los dispositivos de Clase 2 están destinados a aplicaciones en las que un anclaje superior podría no estar disponible o no ser factible y estar sujetos a una caída libre que no supere los 6 pies (1,8 m) sobre un borde.

Para ser declarado dispositivo de Clase 1 y Clase 2, ANSI requiere que un SRD tenga una distancia de detención aérea menor a 42" (1,1 m), una fuerza de detención promedio menor a las 1350 libras (6 kN) [1.575 libras (7 kN) acondicionado] y una fuerza máxima de detención de 1.800 libras (8 kN), tanto para pruebas ambientales como acondicionadas.

Cuando se prueban dinámicamente de acuerdo con los requisitos de ANSI Z359.14-2021, los dispositivos autorretráctiles FallTech Clase 1 y Clase 2 tienen un AAF de 1.350 libras (6 kN) o menos y un AD de menos de 42" (1,1 m).

Consulte la Sección 5 de este manual de instrucciones del usuario para saber cómo calcular la distancia despejada de caída mínima requerida (MRFC).

Los SRL-P de clase 2 deben incluir una etiqueta que indique la distancia de caída despejada requerida para utilizar el dispositivo. Esta etiqueta se colocará en el producto. El FT-X EdgeCore Class 2 SRL-P incluye esta etiqueta en la cubierta del absorbedor de energía.

Consulte la Sección 5.2 de este manual de instrucciones del usuario para saber cómo calcular su distancia despejada de caída mínima requerida (MRFC) usando las etiquetas adheridas.

La información de clasificación que se encuentra en las etiquetas de los productos se basa en los resultados de las pruebas. La Tabla 1B en el Apéndice A proporciona resultados de rendimiento de prueba para el SRD descrito en este manual. NOTA: La distancia de detención es uno de varios parámetros que conforman la distancia despejada de caída mínima requerida (MRFC). MRFC se discute en detalle en la Sección 5.

OSHA exige que un SRD que limite la caída libre a 2 pies (0,9 m) o menos. Si se debe exceder la distancia de caída libre máxima, el empleador debe documentar, según los datos de las pruebas, que no se excederá la fuerza máxima de detención y que el sistema personal de detención de caídas funcionará correctamente. El SRD descrito en este manual fue probado con éxito para uso horizontal y desciende sobre un borde de acero sin rebabas, como se encuentra en formas de acero y láminas de metal, y puede usarse en situaciones donde podría ocurrir una caída sobre bordes similares, como aquellas que se encuentra en acero, formas o láminas de metal. Se han realizado pruebas adicionales

en un sustrato de borde de hormigón, fuera y más allá del alcance de ANSI Z359. Comuníquese con Falltech para obtener más información sobre esta prueba.

**2.2 Organización Canadiense de Estándares (CSA):** El FT-X SRL-LE descrito en este manual, cuando se usa según las instrucciones de este manual, cumple o excede CSA Z259.2.2-2017(R2022). CSA requiere que todos los SRD se clasifiquen según su tipo respectivo, y se clasifiquen como; Clase SRL, Clase SRL-R, Clase SRL-LE o Clase SRL-LE-R. El dispositivo autorretráctil FT-X SRL-LE de este manual es de clase SRL-LE.

Los parámetros de prueba de CSA utilizados en este manual son:

- Distancia de detención (AD)
- Fuerza de detención promedio (AAF)
- Fuerza de detención máxima (MAF)

La distancia de detención es la distancia vertical total requerida para detener una caída. La distancia de detención incluye la distancia de desaceleración y la distancia de activación. La fuerza de detención promedio es el promedio de las fuerzas aplicadas al cuerpo y al anclaje por el sistema de protección contra caídas. La fuerza máxima de detención es la cantidad máxima de fuerza que el sistema de protección contra caídas puede aplicar al cuerpo y al anclaje. Además de las pruebas anteriores realizadas en condiciones ambientales, las unidades deben volver a probarse para determinar las fuerzas medias y máximas bajo ciertas condiciones ambientales, donde las unidades se enfrían, luego se prueban y se saturan en agua y se vuelven a probar. Se utilizan unidades separadas para cada prueba. Todos los resultados de la prueba se registran.

Estos datos de prueba se utilizan luego para establecer la base de las pautas de despeje de caídas publicadas en el manual de instrucciones del usuario. Consulte la Tabla 1C.

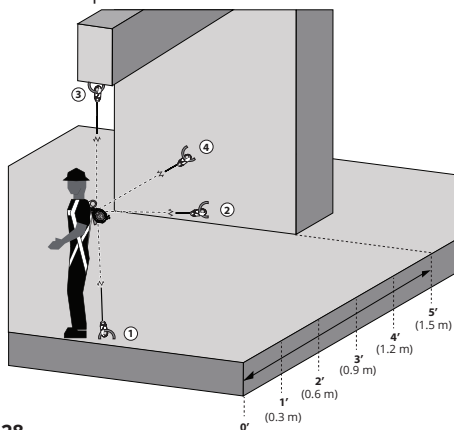
### 3.0 Aplicación

#### 3.1 Objetivo:

El FT-X EdgeCore Class 2 Leading Edge SRL está diseñado para usarse como un componente en un Sistema personal de detención de caídas (PFAS), con el objeto de proporcionar una combinación entre movilidad del trabajador y protección contra caídas según se requiera para trabajos de inspección, construcción general, trabajos de mantenimiento, producción de petróleo, trabajos en espacios confinados, etc. El FT-X EdgeCore SRL-P se puede usar como protección contra caídas en aplicaciones que contemplan presencia de borde delantero, donde pueden ocurrir caídas sobre dichos bordes.

#### 3.2 Sistema personal de detención de caídas:

Un PFAS es un conjunto de componentes y subsistemas que se utilizan para detener a una persona durante una caída. Un PFAS generalmente consta de un anclaje, un dispositivo de desaceleración como un cordón de absorción de energía (EAL), un dispositivo autorretráctil (SRD) o un subsistema de conexión de detención de caídas (FACSS) y un arnés de cuerpo completo (FBH) correctamente ajustado. El SRD descrito en este manual se puede usar en situaciones de anclaje no suspendido. La caída libre máxima permitida en un PFAS típico es de 6' (1,8 m). Pueden considerarse otras aplicaciones por debajo del anillo en D, o de forma horizontal en un anclaje giratorio de FallTech SRL aprobado, diseñado para tal uso.



**Figura 3 - Ubicaciones de anclaje**

<b>1</b>	Anclaje de SRD a nivel de los pies con retroceso de 0' desde el borde delantero
<b>2</b>	Anclaje de SRD a nivel de los pies con retroceso de 5' desde el borde delantero
<b>3</b>	Anclaje en parte superior de SRD sobre el anillo en D dorsal
<b>4</b>	Anclaje del SRD por encima del anillo en D dorsal con un retroceso de 5' desde el borde delantero

### **3.3 Cuerda de salvamento horizontal (HLL) y sistemas de rieles:**

El SRL puede sujetarse a anclajes rígidos y flexibles, siempre que todas las aplicaciones, instalaciones y usos de sistemas de rieles o HLL estén bajo la supervisión de una persona calificada.

### **3.4 Rescate:**

Asegúrese de que exista un plan, método y sistema de rescate por escrito y que el mismo esté disponible fácilmente para una respuesta rápida. Los rescates pueden requerir de equipo o medidas especializadas. Las operaciones de rescate quedan fuera del alcance de este manual. Consulte ANSI Z359.4.

### **3.5 Límites de aplicación:**

Tome medidas para evitar la maquinaria en movimiento, las superficies abrasivas y los peligros térmicos, eléctricos, incluido el arco de las aplicaciones de soldadura y peligros químicos, ya que el contacto puede dañar el SRL, lo que puede provocar lesiones graves o la muerte. El SRL no está diseñado para uso en restricción, conducción de personal, suspensión o posicionamiento de trabajo. Las aplicaciones de rescate exceden el alcance de este manual. No utilice el SRL para estas aplicaciones excepto como PFAS de respaldo.

## **4.0 Requisitos del sistema**

### **4.1 Capacidad:**

El FT-X EdgeCore Class 2 Leading Edge SRL-P está diseñado para que lo use un solo usuario considerando el peso combinado de usuario, herramientas, ropa, etc., de:

- a. 130 - 310 libras. (59 - 141 kg) para cumplir con ANSI, CSA y OSHA
- b. 130 - 420 libras (59 - 191 kg) para cumplir solo con OSHA

### **4.2 Compatibilidad de conectores:**

Se considera que los conectores son compatibles con los elementos de conexión cuando han sido diseñados para trabajar juntos de tal manera que sus tamaños y formas no provoquen que sus mecanismos de compuerta se abran inadvertidamente, independiente de su orientación. Póngase en contacto con FallTech si tiene alguna pregunta sobre la compatibilidad. Los conectores deben ser compatibles con el anclaje u otros componentes del sistema. No utilice equipos que no sean compatibles, consulte la Figura 4. Los conectores no compatibles pueden desconectarse accidentalmente. Los conectores deben ser compatibles en tamaño, forma y resistencia. Los conectores de autocierre y autobloqueo son requeridos por ANSI y OSHA.

### **4.3 Compatibilidad de los componentes:**

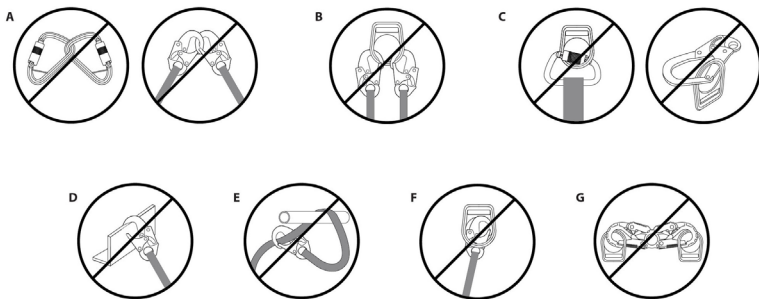
El equipo está diseñado para usarse sólo con componentes y subsistemas aprobados. Las sustituciones o reposiciones efectuadas con componentes o subsistemas no aprobados pueden poner en peligro la compatibilidad de los equipos y podrían afectar la seguridad y la confiabilidad del sistema completo.

### **4.4 Para realizar conexiones:**

Utilice únicamente conectores autoblocantes con este equipo. Utilice únicamente conectores adecuados para cada aplicación. Asegúrese de que todas las conexiones sean compatibles en tamaño, forma y resistencia. No utilice equipos que no sean compatibles. Asegúrese visualmente de que todos los conectores estén completamente cerrados y bloqueados. Los conectores están diseñados para usarse solo como se especifica en las instrucciones de usuario de cada producto.

### **4.5 Sistema personal de detención de caídas:**

Un PFAS es un conjunto de componentes y subsistemas que se utilizan para detener a una persona durante una caída. Un PFAS generalmente se compone de un anclaje y un FBH, con un dispositivo de conexión de absorción de energía, es decir, un SAL, un SRL o un subsistema de conexión de detención de caídas (FACSS), conectado al anillo en D dorsal del FBH. Los componentes de PFAS utilizados junto con este SRL deben cumplir con los requisitos de ANSI Z359 y las reglamentaciones aplicables de OSHA.



**Figura 4 - Conexiones no compatibles**

<b>A</b>	Nunca conecte dos componentes activos (ganchos de seguridad o mosquetones) entre sí.
<b>B</b>	Nunca conecte dos componentes activos (ganchos de seguridad o mosquetones) a un solo anillo en D al mismo tiempo.
<b>C</b>	Nunca conecte de una manera que produzca una condición de carga en la puerta.
<b>D</b>	Nunca lo sujete a un objeto de manera que la compuerta (del gancho de seguridad o mosquetón) no pueda cerrarse y bloquearse por completo. Protéjase siempre de conexiones falsas inspeccionando visualmente el cierre y el bloqueo.
<b>E</b>	Nunca lo conecte explícitamente a un subcomponente constituyente (correas, cable o cuerda) a menos que así lo indiquen específicamente las instrucciones del fabricante para ambos subcomponentes (gancho de seguridad o mosquetón y correas, cable o cuerda).
<b>F</b>	Nunca lo conecte de manera que un elemento del conector (compuerta o palanca de liberación) pueda quedar atrapado en el anclaje, lo que puede generar un riesgo adicional de acoplamiento falso.
<b>G</b>	Nunca coloque un gancho de seguridad en los dos anillos en D laterales o de posición de manera que los anillos en D encajen en las compuertas; las puertas de un espardidor siempre deben estar alejadas de los anillos en D durante el posicionamiento de trabajo.

#### 4.6 Fuerza de detención promedio y distancia de detención:

Las tablas 1B y 1C del Apéndice A proporcionan datos de prueba sobre los atributos de rendimiento típicos de los tres parámetros principales: distancia de detención, fuerza de detención promedio y fuerza de detención máxima, ordenados por número de modelo y clase. Las pruebas se realizan en diversas condiciones ambientales, a temperatura ambiente, caliente, fría y húmeda. En las pruebas del fabricante, los atributos de rendimiento del caso más desfavorable del SRL, conectado 5' (1,5 m) por debajo del anillo en D dorsal en una aplicación de vanguardia son:

5' (1,5 m) por debajo del anillo en D dorsal en una aplicación de vanguardia	130 a 310 libras. (59 to 141 kg)	130 to 420 libras. (59 to 191 kg)
Longest Arrest Distance	115" (2.9 m)	154" (3.9 m)
Largest Average Arrest Force	917 libras. (4.1 kN)	889 libras. (4.0 kN)
Largest Maximum Arrest Force	1,421 libras. (6.3 kN)	1,605 libras. (7.1 kN)

La persona competente puede encontrar estos datos útiles para planificar la ubicación del anclaje y calcular las cargas y distancias de detención de caídas desde el nivel de suelo/trabajo hasta la obstrucción más cercana o el nivel inferior. Ver Sección 5.

NOTA: La distancia de detención es una parte de la distancia despejada de caída mínima requerida (MRFC). El parámetro MRFC se determina en base a la consideración de múltiples factores en la protección contra caídas. La conexión por debajo del nivel del anillo en D del FBH requerirá una distancia despejada de caída adicional. MRFC se analiza en detalle en la Sección 5.

#### 4.7 Fuerza de anclaje del sistema personal de detención de caídas:

Un anclaje seleccionado para la aplicación de PFAS debe tener la resistencia para soportar una carga estática aplicada en la dirección permitida por el PFAS de al menos:

- dos veces el máximo de fuerza de detención permitida cuando exista la certificación, o
- 5.000 libras (2.268 kg) (22.2 kN) en ausencia de la certificación.

Seleccione una ubicación de anclaje con cuidado. Considere la resistencia estructural, las obstrucciones en la ruta de caída y los riesgos de caída con balanceo. En ciertas situaciones, la persona calificada puede determinar que una estructura dada puede resistir el MAF aplicado del PFAS con un factor de seguridad de al menos dos, según lo requerido por OSHA.

#### 5.0 Instalación y uso

##### ADVERTENCIA

**No altere ni haga mal uso intencional de este equipo. Consulte con FallTech cuando utilice este equipo en combinación con componentes o subsistemas distintos a los descritos en este manual. Todos los componentes o subsistemas utilizados con el SRD que se describen en este manual deben cumplir con ANSI Z359, CSA Z259 u OSHA.**

**No utilice ganchos de refuerzo, mosquetones grandes o ganchos de cierre instantáneo grandes para conectar a los anillos en "D" dorsales del FBH o a cualquier punto de anclaje no compatible de diámetro pequeño, ya que esto puede causar una condición de vuelco y/o la desconexión involuntaria.**

#### 5.1 Instalación en arnés de cuerpo completo

La instalación para las configuraciones de ramal simple y ramal doble de FT-XTM EdgeCore™ Class 2 Leading Edge SRL-P sigue los mismos pasos que se detallan a continuación:

**Paso 1:** En el FBH, levante el anillo en D dorsal a la posición que apunta hacia arriba, luego afloje la intersección de las dos correas que pasan a través de la ranura del anillo en D para crear bucles flojos de aproximadamente 2" (5 cm) como se muestra en la Figura 5A. Tenga en cuenta que algunos arneses pueden tener un túnel incorporado.

**Paso 2:** Presione ambos botones de liberación y deslice la barra de bloqueo a la posición abierta como se muestra en la Figura 5B.

**Paso 3:** Fije el conector a los bucles flojos insertando la barra de bloqueo a través de los bucles flojos como se muestra en la Figura 5C.

**Paso 4:** Asegúrese de que la barra de bloqueo esté completamente insertada y en la posición bloqueada, vea la Figura 5D.

Figura 5 - Instalación de FT-X EdgeCore Class 2 Leading Edge SRL-P

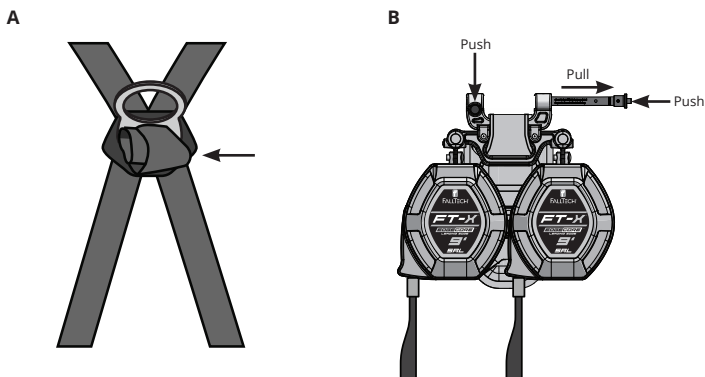
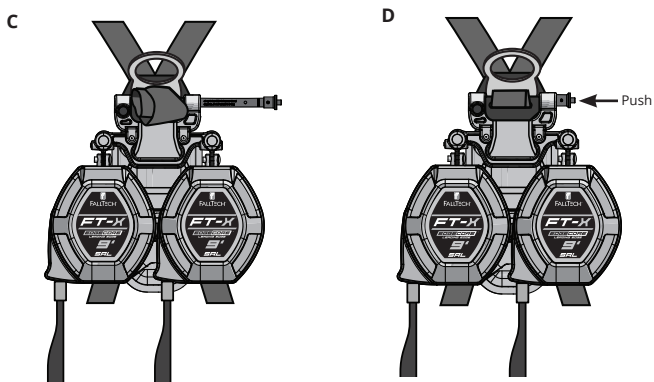


Figura 5 - Instalación de FT-X EdgeCore Class 2 Leading Edge SRL-P



## 5.2 Conexión a un anclaje

Examine el área de trabajo en busca de posibles peligros. Tome precauciones para evitar peligros elevados, como grúas, postes, cables eléctricos elevados y peligros en las superficies para desplazamiento/trabajo, como cables eléctricos, cables de soldadura, mangueras de aire y fluidos, incluidos los peligros de obstrucciones, como columnas verticales y pilas de materiales en el nivel inferior. Elimine los peligros cuando sea posible.

Asegúrese de que el anclaje proporcione la distancia despejada de caída mínima requerida (MRFC) en la ruta de caída debajo de la superficie de desplazamiento/trabajo para evitar golpear el nivel inferior o una obstrucción durante un evento de caída. Tome medidas para evitar caídas con balanceo, que ocurren cuando el anclaje no está directamente sobre el punto donde ocurre la caída.

La distancia despejada de caída y las caídas con balanceo están sujetas a condiciones variables. La altura del anclaje, el movimiento lateral y la distancia de retroceso afectan la ubicación del anclaje con respecto a la distancia despejada de caída y las caídas con balanceo.

La SRL se puede conectar a un anclaje superior, es decir, por encima del anillo en D dorsal del FBH del usuario, o a un anclaje que no sea superior, es decir, por debajo del anillo en D dorsal del FBH del usuario. Un anclaje que no sea elevado puede estar a un máximo de 5' (1,5 m) por debajo del anillo en D dorsal del FBH del usuario. Las ubicaciones de anclaje que no son elevadas se traducen en un mayor contacto entre la línea de vida y el borde y presentan mayores peligros de riesgo de abrasión.

El uso de anclajes por debajo del anillo en D debe ser el último recurso, ante la ausencia de otra opción de anclaje.

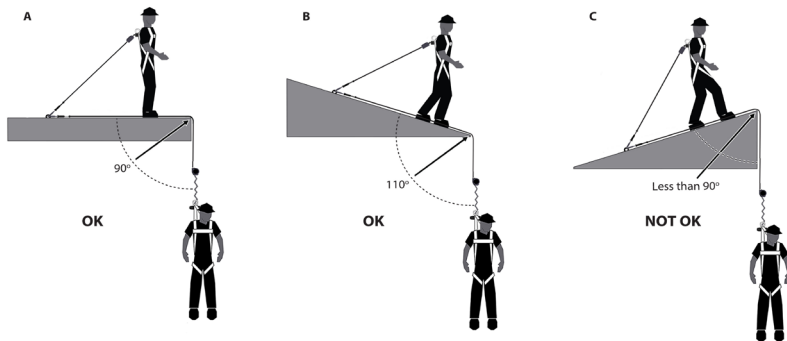
Las pruebas de rendimiento han demostrado que un evento de caída sobre un borde delantero alterará las características de rendimiento del SRL y los requisitos de espacio libre de caída. Cuando se ancla por debajo del anillo en D posterior del FBH, los eventos de caída darán como resultado mayores distancias de caída. Las distancias de retroceso reducidas también aumentarán los requisitos de distancia despejada. El anclaje que no implique elevación cuando el SRL se retraiga menos de 5' (1,5 m) dará como resultado un mayor MRFC y una menor capacidad de movilidad del trabajador debido a la caída con balanceo. Mayores distancias de retroceso de 5' (1,5 m) o más reducirán el parámetro MRFC general y permitirán un mayor movimiento lateral del trabajador cuando esté sujeto a un anclaje que no implique elevación.

Si la geometría del lugar de trabajo lo permite, se recomienda una distancia de retroceso de 1,5 m (5 pies) para aprovechar al máximo el rendimiento del SRL. Además, el ángulo de redirección de la cuerda de salvamento, es decir, el ángulo de la cuerda de salvamento cuando pasa sobre el borde, debe ser de 90 grados o más, nunca menos, consulte la Figura 6.

No fije el conector de anclaje de una forma que el borde quede más alto que el conector, consulte la Figura 6.



**Figura 6: Redireccionar ángulo de borde delantero de cuerda de salvamento**



### 5.3 Uso del FT-X EdgeCore Class 2 Leading Edge SRL-P

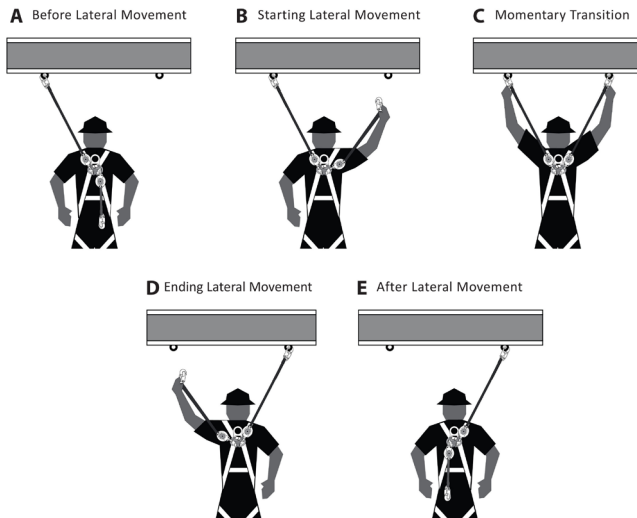
Antes de cada uso, inspeccione el FT-X EdgeCore de acuerdo con la Sección 7. Retire el dispositivo de servicio si la inspección muestra daños o fallas.

Colóquese el FBH (con el FT-X EdgeCore conectado) de acuerdo con las instrucciones del fabricante del arnés.

Siga las instrucciones contenidas en este manual y en las etiquetas. El incumplimiento de las instrucciones puede provocar lesiones graves o la muerte.

Conecte el conector del extremo del ramal a un punto de anclaje aprobado. Asegúrese de que el conector se cierre y se bloquee. En una configuración de ramal doble, acople el conector del extremo del ramal que no se usa al retenedor de cuerda del FBH. Asegúrese de que todas las conexiones sean compatibles. El funcionamiento normal permitirá que la longitud de trabajo de la cuerda de salvamento se extienda y se retraiga a medida que el trabajador se mueve. Cuando se usa una configuración de ramal doble, es posible moverse lateralmente entre los puntos de anclaje con un 100 % de amarre, como se muestra en la Figura 7.

**Figura 7 -SRL de pata doble para movimiento lateral**



Evite los movimientos repentinos o rápidos durante la operación de trabajo normal, ya que esto puede hacer que el sistema de trinquete del SRL se enganche y posiblemente cause la pérdida del equilibrio, lo que puede causar lesiones o la muerte. Si ocurre una caída, el sistema de trinquete se activará y bloqueará la cuerda de salvamento. El EA se desplegará para detener la caída y limitar las fuerzas de detención en el usuario.

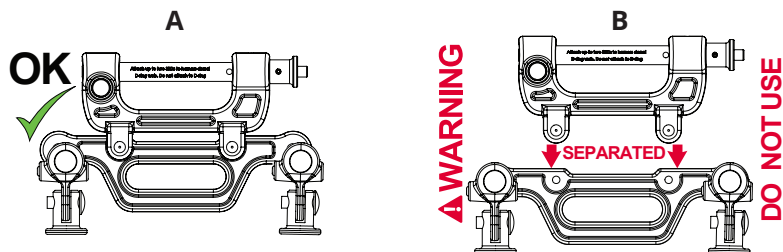
### 5.3.1 Mecanismo de bloqueo:

El SRD utiliza un mecanismo de bloqueo basado en la aceleración. La función de bloqueo requiere una cierta tasa de reparto durante un evento de caída para funcionar correctamente. Ciertas situaciones, espacios confinados o estrechos, cimientos móviles como arena, grava, grano o una superficie inclinada pueden no permitir que la cuerda de salvamento alcance la velocidad suficiente para activar el mecanismo de bloqueo. Se requiere una ruta despejada para asegurar el bloqueo positivo del SRD. Asegúrese de que la cerradura funcione correctamente. Tire de la cuerda de salvamento una distancia corta y déle un tirón fuerte. La línea de vida debe bloquearse. Si no se bloquea, retírelo del servicio inmediatamente. Asegúrese de que la zona de trabajo permanezca dentro de los parámetros establecidos. Tenga cuidado con los peligras de borde delantero.

### 5.3.2 Indicador visual:

El indicador visual principal es el conector de corte. Las mitades del conector de corte se separarán si el SRL-P ha estado sujeto a fuerzas de detención de caídas, como se muestra en la Figura 8, Imagen B. Si el conector de corte está separado, retire la unidad de servicio. Para los indicadores visuales desplegados, tanto los SRD como el absorbedor de energía deben retirarse del servicio y destruirse. Las unidades SRD no deben repararse ni reutilizarse con otros absorbedores de energía.

Figure 8 - Indicador visual



### 5.3.3 Después de una caída:

Un evento de caída sobre un borde puede requerir medidas y equipos de rescate especiales. Asegúrese de que exista un plan, método y sistema de rescate por escrito y que esté fácilmente disponible para que todos los usuarios puedan dar una respuesta rápida. Asegúrese de que todos los usuarios estén capacitados en los procedimientos de rescate. Si ocurre un evento de caída, retire el equipo del servicio y guárdelo por separado. Retire de servicio cualquier unidad que haya estado sujeta a fuerzas de detención de caídas o que muestre daños consistentes con dichas fuerzas. Si tiene preguntas, comuníquese con FallTech.

### 5.3.4 Uso del SRD:

No use el SRD si la inspección muestra daños o fallas. Póngase el FBH de acuerdo con las instrucciones del fabricante del FBH. Siga las instrucciones contenidas en este manual y en las etiquetas. El incumplimiento de las instrucciones puede provocar lesiones graves o la muerte. Conecte el conector SRL-FBH al anillo en D dorsal en el FBH. Asegúrese de que el conector se cierre y se bloquee. Fije el mosquetón del extremo del ramal al anclaje elegido y asegúrese de que el conector del extremo del ramal se cierre y se bloquee. Asegúrese de que todas las conexiones sean compatibles. El funcionamiento normal permitirá que la longitud de trabajo de la cuerda de salvamento se extienda y se retraiga a medida que el trabajador se desplaza. Una cierta cantidad de tensión debe permanecer en el cable en todo momento para garantizar el funcionamiento adecuado del freno interno. No permita que la cuerda de salvamento se afloje. Si la cuerda de salvamento se afloja, retire el SRD de servicio para su inspección. Consulte la Sección 7.

Evite movimientos bruscos o rápidos durante la operación normal de trabajo, ya que esto puede hacer que el freno del SRD se active y posiblemente cause pérdida de equilibrio y lesiones o la muerte.

Si se produce una caída, el freno se aplicará y bloqueará la cuerda de salvamento. El EA se desplegará para detener la caída y limitar las fuerzas de detención del usuario.

- NO extienda la cuerda de salvamento más allá del límite operativo.
- NO permita que una cuerda de salvamento del SRD se enrede o retuerza con otra cuerda de salvamento de SRD durante el uso.
- NO permita que ninguna cuerda de salvamento pase debajo de los brazos o entre las piernas durante el uso.
- NO sujete, anude ni evite que la cuerda de salvamento se retraiga o se tense.
- NO alargue el SRD conectando una cuerda de salvamento o un componente similar.
- NO permita que la cuerda de salvamento permanezca fuera de la carcasa cuando no esté en uso.

### 5.3.4 CSA Z259.2.2-17 (R2022) Datos de despliegue:

El despliegue es igual al factor de despliegue multiplicado por la distancia de caída libre, h. Consulte la tabla a continuación para conocer el factor de implementación.

Factor de despliegue para una masa de 140 kg	0,9
Distancia máxima de despliegue (anclaje en parte superior)	3,2 pies (0,97 m)
Distancia máxima de despliegue (caída libre de 1.8 m (6 pies))	6,7 ft (2,0 m)
Fuerza de despliegue promedio	672 libras. (3,0 kN)
Fuerza de detención máxima	1.605 libras. (7,1 kN)

## 5.4 Cálculo de la distancia despejada de caída mínima requerida

### 5.4.1 FT-X en aplicaciones de anclaje elevadas, sin bordes delanteros [usuario de 130 a 310 libras (59 a 141 kg)]

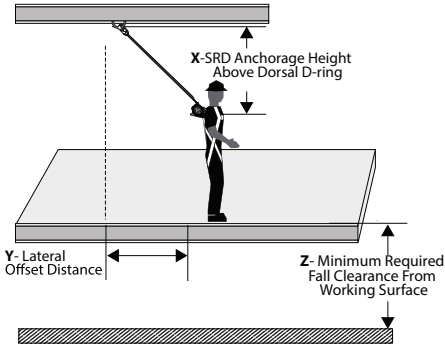
El FT-X se puede usar como un SRD estándar en condiciones de suspensión, en las que el SRD se instala en cualquier lugar del área de conexión permitida, que va desde directamente por encima del usuario hasta el nivel del anillo en D del FBH, como se muestra en las Figura 9.

La distancia despejada mínima requerida de caída (MRFC) en condiciones de suspensión se calcula utilizando cuatro métricas, medidas desde la superficie de desplazamiento y de trabajo: Distancia de desaceleración del SRD, cambio del anillo en D y estiramiento del arnés [1 pie (0,3 m)], factor de seguridad [1,5 pies (0,5 m)] y caída con balanceo. El diagrama de la Figura 11 se calcula utilizando los datos de rendimiento del SRD e incluye las cuatro métricas enumeradas anteriormente para determinar el parámetro MRFC.

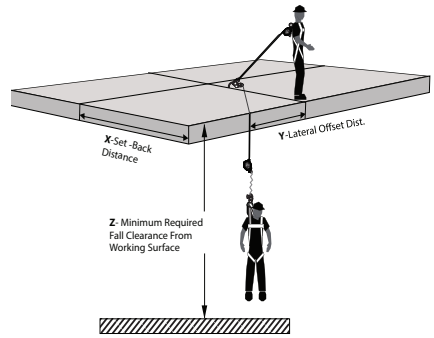
### 5.4.2 FT-X con una aplicación de anclaje en borde delantero no suspendido [usuario de 130 a 310 libras (59 a 141 kg)]

La distancia despejada de caída mínima requerida (MRFC) en condición del borde delantero/debajo del anillo en D se calcula utilizando cinco métricas, medidas desde la superficie de desplazamiento y trabajo: Distancia de desaceleración del SRD, cambio del anillo en D y estiramiento del arnés [1 pie (0,3 m)], Factor de seguridad [1,5 pies (0,5 m)], altura del anillo en D dorsal [5 pies (1,5 m)] y caída con balanceo. La altura del anillo en D dorsal se agrega para tener en cuenta el amarre del anillo en D debajo en comparación con la condición de suspensión.

**Figura 9 - Anclaje suspendido de MRFC**

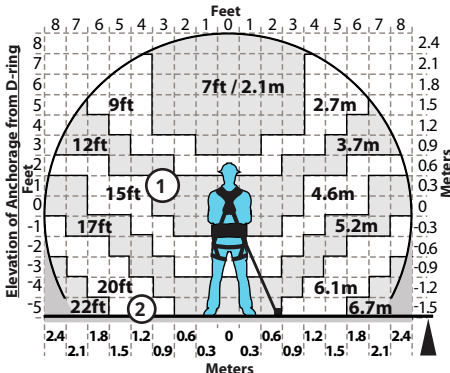


**Figura 10 - Anclaje no suspendido de MRFC**



**Figura 11 - Distancia despejada de caída mínima requerida de FT-X para usuarios de 130 a 310 libras (59 a 141 kg)**

**Horizontal Distance to Anchorage from Dorsal D-Ring**



**Minimum Required Fall Clearance Indicated in figure above**  
**MINIMUM REQUIRED FALL CLEARANCE FOR**

**130-310 lb (59-141kg) USER**

<p>Los incrementos de 0,3 m (1 pie) a lo largo del eje X representan la distancia horizontal al anclaje en la que el usuario está trabajando lejos del SRD</p>	<p>Los incrementos de 1 pie (0,3 m) hacia arriba del eje Y representan la elevación del anclaje desde el anillo en D dorsal del usuario</p>
<p><b>Ejemplo 1:</b> Si el usuario está trabajando a 3 pies (0,9 m) del SRD y el SRD está anclado entre el anillo en D dorsal del usuario o hasta 2 pies (0,6 m) por encima del anillo en D. La distancia despejada de caída mínima requerida es de 12 pies (3,7 m), incluida la caída con balanceo.</p>	
<p><b>Ejemplo 2:</b> Si el usuario necesita trabajar a 4 pies (1,2 m) del SRD a lo largo del borde y el SRD está anclado al nivel de los pies, la distancia despejada de caída requerida es de 20 pies (6,1 m), incluida la caída con balanceo.</p>	

**5.4.3 FT-X en aplicaciones de anclaje suspendido, sin bordes delanteros [usuario de 310 a 420 libras. (141 a 191 kg)]**

El FT-X se puede usar como un SRD estándar en condiciones de suspensión, en las que el SRD se instala en cualquier lugar del área de conexión permitida, que va desde directamente por encima del usuario hasta el nivel del anillo en D del FBH, como se muestra en las Figura 9.

La distancia despejada requerida de caída mínima (MRFC) en condiciones de suspensión se calcula utilizando cuatro métricas, medidas desde la superficie de desplazamiento y trabajo: Distancia de desaceleración del SRD, cambio del anillo en D y estiramiento del arnés [1 pie (0,3 m)], factor de seguridad [1,5 pies ( 0,5 m)] y caída con balanceo. El diagrama de la Figura 14 se calcula utilizando los datos de rendimiento del SRD e incluye las cuatro métricas enumeradas anteriormente para determinar el parámetro MRFC.

### 5.4.4 FT-X con una aplicación de anclaje de borde delantero en anclaje no suspendido

[usuario de 310 a 420 libras. (141 a 191 kg)]

La distancia despejada de caída mínima requerida (MRFC) en condición del borde delantero/debajo del anillo en D se calcula utilizando cinco métricas, medidas desde la superficie de desplazamiento y trabajo: Distancia de desaceleración del SRD, cambio del anillo en D y estiramiento del arnés [1 pie (0,3 m)], Factor de seguridad [1,5 pies (0,5 m)], altura del anillo en D dorsal [5 pies (1,5 m)] y caída con balanceo. La altura del anillo en D dorsal se agrega para tener en cuenta el amarre del anillo en D debajo en comparación con la condición de suspensión.

Figura 12 - Anclaje suspendido de MRFC

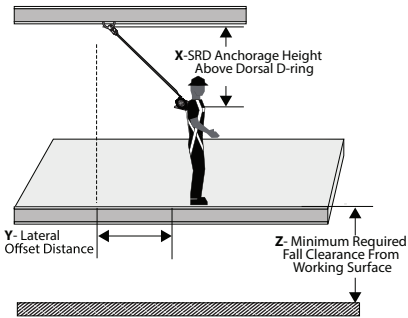


Figura 13 - MRFC en anclaje no suspendido

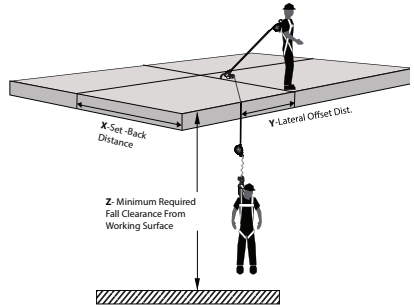
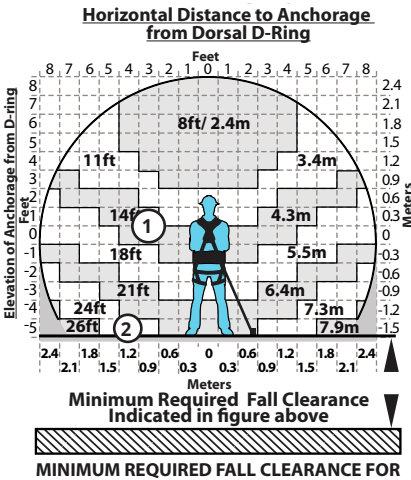


Figura 14 - Distancia despejada de caída mínima requerida de FT-X para usuarios de 310 a 420 libras (141 a 191 kg)



310-420 lb (141-191kg) USER

Los incrementos de 0,3 m (1 pie) a lo largo del eje X representan la distancia horizontal al anclaje en la que el usuario está trabajando lejos del SRD

Los incrementos de 1 pie (0,3 m) hacia arriba del eje Y representan la elevación del anclaje desde el anillo en D dorsal del usuario

**Ejemplo 1:**

Si el usuario está trabajando a 3 pies (0,9 m) del SRD y el SRD está anclado entre el anillo en D dorsal del usuario o hasta 1 pie (0,3 m) por encima del anillo en D. La distancia despejada de caída mínima requerida es de 4,3 m (14 pies), incluida la caída con balanceo.

**Ejemplo 2:**

Si el usuario necesita trabajar a 4 pies (1,2 m) del SRD a lo largo del borde, y el SRD está anclado al nivel de los pies, la distancia despejada de caída mínima requerida es de 22 pies (6,7 m), incluida la caída con balanceo.

## 6.0 Mantenimiento, servicio y almacenamiento

### 6.1 Mantenimiento:

Asegúrese de que el SRL se mantenga libre de exceso de pintura, grasa, suciedad u otros contaminantes, ya que esto podría provocar un mal funcionamiento de la cuerda de salvamento o del mecanismo de retracción. Asegúrese de que no entren residuos en el alojamiento. Limpie el exterior de la unidad según sea necesario con una solución de agua y detergente. No permita que el agua u otros elementos que causen corrosión entren en el alojamiento. Después de limpiar, tire de la cuerda de salvamento hasta el final, deje que la unidad se seque al aire libre y luego retraiga la cuerda de salvamento dentro de la unidad. Limpie las etiquetas según sea necesario.

NO utilice el calor para secar.  
NO intente desmontar el SRL.

### 6.2 Servicio:

Si se requiere reparación por algún motivo, como falla de inspección, carga de impacto, cualquier tipo de mal funcionamiento, etiquete la unidad como "INUTILIZABLE" y retírela del servicio. Este producto incluye una característica que permite que los SRD integrales se reemplacen individualmente en caso de que la cuerda de salvamento del SRD se desgaste o dañe durante el uso normal. Cualquier daño al amortiguador de impacto o al indicador visual desplegado no puede y no debe ser reparado. Una vez retirada del servicio, la unidad SRD puede retirarse y reemplazarse con la herramienta de llave inglesa 5049. El reemplazo de la unidad SRD solo debe ser realizado por una persona competente o en un centro de reparación autorizado por FallTech. Lea y siga el Manual de instrucciones para el usuario de la llave inglesa (448-00009). De lo contrario, el SRL podría funcionar incorrectamente, lo que puede provocar lesiones graves o la muerte. El dispositivo SRL debe ser inspeccionado por una persona competente antes de volver al servicio. Para solicitar una llave inglesa 5049, comuníquese con FallTech. Nota: Solo los FT-X EdgeCores de 8' de longitud se pueden reparar en el campo.

### 6.3 Almacenamiento:

Guarde el FT-X EdgeCore en un ambiente fresco, seco y limpio, fuera del contacto con la luz solar directa. Coloque el SRL de manera que el exceso de agua pueda drenarse. Evite la exposición a vapores químicos o cáusticos. Inspeccione minuciosamente el dispositivo SRL después de cualquier período de almacenamiento prolongado.

## 7.0 Inspección

### 7.1 Inspección de usuario previa al uso:

Realice una inspección antes de cada uso de acuerdo con las recomendaciones de la Tabla 1 a continuación.

**Tabla 1: Pautas para la inspección de SRL FT-X EdgeCore**

Inspección	Pass	Fail
La cuerda de salvamento debe extraerse y retraerse por completo y sin tambalearse y debe permanecer tirante bajo tensión sin combarse.		
Extraiga la cuerda de salvamento varias pulgadas y aplique un tirón firme para confirmar los bloqueos de SRL. El bloqueo debe ser seguro y sin deslices. Repita este procedimiento de bloqueo en lugares adicionales a lo largo de la cuerda de salvamento para confirmar que el SRL funciona correctamente.		
Inspeccione toda la longitud de la cuerda de salvamento en busca de abrasión, hilos rotos o deshilachados, quemaduras, cortes o nudos. Inspeccione en busca de daños por suciedad, pintura, grasa o aceite. Inspeccione en busca de decoloración u otros daños causados por exposición química o calor excesivo. Inspeccione en busca de grietas u otros daños debido a la exposición extrema a la luz ultravioleta. Si existe alguna de estas condiciones, retire el SRL-P de servicio inmediatamente.		
Examine el conector SRL-FBH en busca de grietas, roturas o deformaciones. Asegúrese de que la barra de bloqueo se cierre en la posición de bloqueo.		
Revise el Absorbedor de energía en busca de rasgaduras, roturas u otros daños.		
Verifique el ensamblaje del conector en busca de grietas, deformaciones u otros daños.		
Examine la condición general de la unidad SRL en busca de indicios de deterioro o daño.		
Todas las etiquetas deben estar intactas y legibles.		

**If an inspection reveals defects or damage to the equipment, remove the equipment from service.**

### 7.2 Frecuencia de inspección:

Se requiere la inspección por parte de una persona competente a intervalos regulares. La persona competente utilizará la información de la Tabla 2, Recomendaciones de inspección de SRL, para determinar la frecuencia de inspección. Utilice la Tabla 2 para determinar la frecuencia de inspección. También se recomienda la inspección por parte de una entidad de inspección autorizada por la fábrica a intervalos regulares.

### 7.3 Lista de verificación de inspección:

Utilice la Tabla 1: Directrices para la inspección de Cable SRL para comprobar el estado del SRL.

#### 7.4 Resultados de la inspección:

Si una inspección revela defectos o daños en el equipo, mantenimiento inadecuado o indicadores de caída activados, retire el equipo del servicio.

#### 7.5 Documento de inspección:

Registre los resultados de la inspección en el Registro de inspección que se proporciona a continuación o en un documento similar.

<b>Tabla 2 - Recomendaciones de inspección ANSI Z359.14-2021 SRL</b>			
<b>Tipo de Uso</b>	<b>Ejemplos de aplicación</b>	<b>Condiciones de uso</b>	<b>Frecuencia de inspección Persona competente</b>
<b>Infrecuente al uso ligero</b>	Rescate y espacios confinados, mantenimiento de fábrica.	Buenas condiciones de almacenamiento, uso en interiores o poco frecuentes al aire libre, temperatura ambiente, ambientes limpios	Anualmente
<b>Uso moderado a pesado</b>	Transporte, construcción residencial, servicios públicos, bodega.	Condiciones de almacenamiento justas, uso interior y exterior prolongado, todas las temperaturas, ambientes limpios o polvorientos	Semestral a anual
<b>Uso severo a continuo</b>	Construcción comercial, petróleo y gas, minería	Condiciones de almacenamiento severas, uso prolongado o continuo en el exterior, todas las temperaturas, ambientes sucios	Trimestral a semestral

## PLANILLA DE INSPECCIÓN

No de modelo: \_\_\_\_\_ No de serie: \_\_\_\_\_

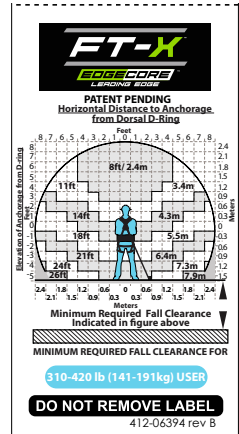
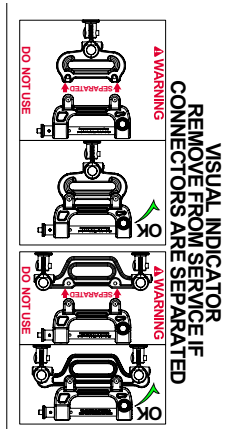
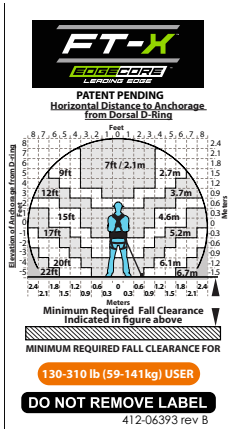
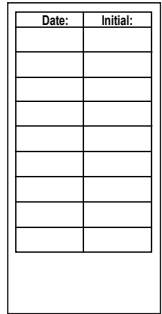
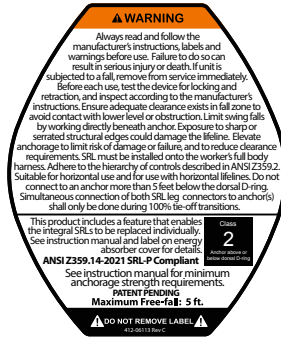
Fecha de fabricación: \_\_\_\_\_

Fecha de inspección	Inspector	Comentarios	Pasó/no pasó	Se hace necesaria una acción correctiva	Aprobado por



## 8.0 Etiquetas

Las etiquetas deben estar presentes y ser legibles.



### FallTech

Style#: 84108SP1  
 Date of Mfg: MAR 2023  
 Serial Number: 1234567  
 Working Length: 8 ft.  
 Lifeline Material:  
 HMPE/Kevlar/Polyester  
 Capacity, Single user:  
 OSHA: 130-420 Lbs  
 ANSI: 130-310 Lbs  
 Max Arrest Force: 1,800 lbs  
 Avg Arrest Force: 1,350 lbs  
 Max Arrest Distance when anchored overhead: 42 in  
 Clearance required when falling over an edge:  
 19 ft for a 310 lb user  
 22 ft for a 420 lb user  
 Minimum set back distance: 0 ft  
 Inspect before each use.  
 Remove from service if energy absorber has been deployed.

Style#: 84108SP1  
 Date de Fabrication:  
 (Voir le Recto de l'étiquette)  
 Numéro de Série  
 (Voir le Recto de l'étiquette)  
 Longueur de Travail: 2,4m  
 La Corde d'assurance Material:  
 HMPE/Kevlar/Polyester  
 Distance Minimale de Recul: 0m  
 CSA INFORMATION  
 CSA Z259.2-2-2017  
 Class/Class: SRL-LE  
 Capacity/Capacité:  
 130lbs to 310lbs (58.9kg-140.6kg)  
 Single User/Utilisateur Unique  
 Maximum Free Fall Distance/  
 Distance Maximale de Chute Libre  
 5 ft (1.5m)  
 Maximum Arrest Force/  
 Force d'arrêt Maximale: 8kN  
 Average Deployment Force/  
 Force de Déploiement Moyenne  
 674.0 lbf (3.0kN)

CSA INFORMATION - Con't  
 When SRD is anchored overhead, maximum deployment/  
 Lorsque SRD est ancré au-dessus de la tête: 3.7 ft (1.1m)  
 When SRD is anchored so that free fall is possible, maximum deployment/  
 Lorsque le SRD est ancré de sorte possible, déploiement maximal  
 6.7 ft (2.1m)  
 Deployment Factor, D140 = 0.9  
 Facteur de Déploiement, D140 = 0.9  
 Follow all manufacturer's instructions included at time of shipping. This device shall be removed from service when the energy absorber is deployed.  
 Suivez toutes les instructions du fabricant incluses au moment de l'expédition. Ce dispositif doit être retiré du service lorsque l'absorbeur d'énergie est Leading Edge Device  
 Dispositif de pointe  
 NE PAS RETIRER L'ETIQUETTE

DO NOT REMOVE LABEL

## 9.0 Definiciones

Las siguientes son las definiciones generales de los términos que se utilizan en protección contra caídas según lo determina la norma ANSI Z359.0-2012.

**Anclaje:** Punto de conexión seguro o extremo de un elemento integrante de un sistema de protección contra caídas o sistema de rescate, capaz de asimilar de forma segura las fuerzas de impacto que genera un sistema de protección contra caídas o subsistema de anclaje.

**Conector de anclaje:** Componente o subsistema que actúa conectando el anclaje y un sistema de protección contra caídas, un posicionamiento del trabajo, acceso de cuerda o sistema de rescate, con el fin de acoplar el sistema al dispositivo de anclaje.

**Distancia de detención:** Indica la distancia vertical total requerida para detener una caída. La distancia de detención incluye la distancia de desaceleración y la distancia de activación.

**Persona autorizada:** Persona designada por el empleador para realizar tareas en un lugar donde se verá expuesta a un peligro de caída.

**Distancia despejada disponible:** Distancia desde un punto de referencia, como la plataforma de trabajo, hasta el obstáculo más cercano con el que una persona autorizada podría encontrarse durante una caída, que en caso de golpear podría causar lesiones.

**Capacidad:** Peso máximo que un componente, sistema o subsistema, está diseñado para resistir.

**Certificación:** Acto que acredita por escrito, que los criterios que determinan esta normativa o cualquier otro estándar relacionado se han tomado en cuenta.

**Anclaje Certificado:** Anclaje para todos los sistemas de detención de caídas, posicionamiento, restricción o rescate, que una persona competente acredita como capaz de resistir las fuerzas que se pueden generar durante una caída.

**Distancia despejada:** Distancia desde un determinado punto de referencia como por ejemplo, la plataforma de trabajo o el anclaje de un sistema de detención de caída, hasta el plano más bajo que un trabajador pueda encontrar durante una caída.

**Requisito de distancia despejada:** Distancia por debajo de una persona autorizada que debe permanecer libre de obstrucciones, para garantizar que dicha persona no entre en contacto con ningún objeto que pudiera causar lesiones en caso de una caída.

**Persona competente:** Persona designada por el empleador, que se hace responsable de la supervisión, la aplicación y el monitoreo continuo, del programa implementado por el empleador para protección contra caídas y quien mediante una capacitación y aprendizaje adecuados, es capaz de identificar, evaluar y solucionar, los riesgos de caída actuales y posibles y quien tiene la autoridad recibida del empleador para tomar con prontitud medidas correctivas respecto a tales peligros.

**Componente:** Parte o conjunto integral de elementos interconectados diseñados para realizar una función en el sistema.

**Subsistema de conexión:** Montaje que incluye los conectores necesarios — todos los elementos componentes y subsistemas o ambos—, entre el sistema de anclaje o conector de anclaje y el punto de sujeción del arnés.

**Conector:** Componente o elemento que se utiliza para unir las piezas del sistema.

**Distancia de desaceleración:** Distancia vertical entre el dispositivo de detención de caída del usuario al momento del accionamiento de las fuerzas de detención de una caída, durante ella y después de que el accesorio de detención se detiene completamente.

**Amortiguador de energía:** Componente cuya función principal es disipar energía y restringir las fuerzas de desaceleración, a las que el sistema somete el cuerpo durante la detención de una caída.

**Detención de caídas:** Acción o circunstancia de detención de una caída libre o instantánea en que una caída libre ha sido detenida.

**Peligro de caída:** Cualquier lugar en el que una persona está expuesta a la posibilidad de ocurrencia de caída libre.

**Caída libre:** Acto de caer antes de que un sistema de protección contra caídas comience a generar resistencia para detener el movimiento.

**Distancia de caída libre:** Distancia vertical que se recorre durante una caída, medida a partir del comienzo de ésta desde una plataforma de trabajo pedestre, hasta el punto en el que el sistema de protección contra caídas comienza a detener la caída.

**Arnés de cuerpo completo:** Soporte corporal diseñado para abrigar el torso y distribuir las fuerzas de detención de caída, por lo menos en la parte superior de los muslos, la pelvis, el pecho y los hombros.

**Cuerda de salvamento horizontal:** Componente de un subsistema de cuerda de salvamento horizontal, que consiste en una línea flexible con conectores u otros medios de acople en ambos extremos para asegurarlo horizontalmente entre dos anclajes o conectores de anclaje.

**Subsistema de cuerda de salvamento horizontal:** Un ensamblaje que incluye los conectores necesarios y está integrado por una cuerda de salvamento horizontal y de manera opcional por los siguientes elementos: a) Un componente que absorbe la energía o, b) Un tensor de cuerda de salvamento, o ambos. Los anclajes en los extremos deben estar a la misma altura.

**Cuerda:** Componente integrado por una cuerda y una cuerda de alambre o correa, que tiene generalmente un conector en cada extremo para conectarse con el soporte corporal y con un detenedor de caídas, un atenuador de energía, un conector de anclaje o un anclaje.

**Subsistema de conexión de cuerda:** Ensamblaje que incluye los conectores necesarios y está integrado únicamente por una cuerda o una cuerda junto con el atenuador de energía.

**Sistema personal de detención de caídas (PFAS):** Conjunto de componentes y subsistemas utilizados para detener una persona en caída libre.

**Posicionamiento:** Acto de sostener el cuerpo con un sistema de posicionamiento que permite tener las manos libres durante el trabajo.

**Cordón de posicionamiento:** Una cuerda que se utiliza para transferir las fuerzas desde un soporte corporal, hasta un anclaje o conector de anclaje en un sistema de posicionamiento.


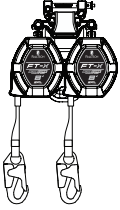
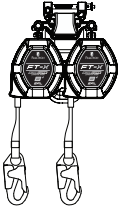
**Persona calificada:** Persona con un título reconocido o certificado profesional y con amplios conocimientos, capacitación y experiencia en el campo de la protección y rescate de caídas, que es capaz de diseñar, analizar, evaluar y especificar, los sistemas de protección contra caídas y rescate.

**Dispositivo autorretráctil (SRD):** Dispositivo que incluye un tambor con una cuerda enrollada que se bloquea automáticamente al inicio de una caída para detener al usuario, pero que se alarga y retrae automáticamente sobre el tambor durante el movimiento normal de la persona a la que está unida la línea.

**Gancho:** Conector integrado por un soporte en forma de gancho que lleva una compuerta generalmente cerrada, o un arreglo parecido, que se puede abrir para permitir que el gancho reciba un objeto y que cuando se suelta, se cierra automáticamente para retener el objeto.

**Caída con balanceo:** Movimiento en forma de péndulo que sucede durante y/o después de iniciada una caída vertical. Una caída con balanceo se presenta cuando una persona autorizada comienza una caída, a partir de una posición que se encuentra horizontalmente lejos de un anclaje empotrado.

**Tabla 1A: Especificaciones para FT-X EdgeCore Clase 2 SRL-Ps**

Modelo #	Material de cuerda de salvamento	Longitud de trabajo y peso	Materiales y especificaciones	Capacidad y estándares	Imágenes
84108SP0 84108SP0S 84108SP1 84108SP2 84108SP3 84108SP3S 84107SP3X 84108SP5 84108SP6	HMPE/Kevlar/ Poliéster	8 pies (2,4 m)	Carcasa: Nailon.  Conector de anclaje: 22,2 kN (5.000 libras) con resistencia de compuerta de 16 kN (3.600 libras)  Conector SRL-FBH: Aluminio forjado 3,600 libras (16 kN) Mínimo	Capacidad de un solo usuario para el cumplimiento de ANSI/CSA: 130 a 310 libras (59 a 141 kg)	
84106TP0 84106TP1 84106TP3		6 pies (1,8 m)		Capacidad de un solo usuario para el cumplimiento de OSHA: 130 a 420 libras (59 a 191 kg)	
84108TP0 84108TP0S 84108TP1 84108TP2 84108TP3 84108TP3S 84107TP3X 84108TP5 84108TP6		8 pies (2,4 m)		ANSI Z359.14-2021 SRL-P de clase 2  CSA Z259.2.2-17 (R2022) SRL-LE  OSHA 1926.502 OSHA 1910.140	

**Tabla 1B: Atributos de rendimiento ANSI/OSHA de FT-X EdgeCore Clase 2 SRL-Ps**

No. de pieza y condiciones		Rendimiento habitual para 130 a 310 libras (59-141 kg) Usuario			Rendimiento típico para usuario de 130 a 420 libras (59-191 kg)			Requisitos de rendimiento ANSI para usuario de 130 a 310 libras. (59-141 kg)		
Modelo #	Condición de anclaje	Distancia de detención	Fuerza de detención promedio	Fuerza de detención máxima	Distancia de detención	Fuerza de detención promedio	Fuerza de detención máxima	Distancia de detención máxima	Fuerza de detención promedio *condicionada	Fuerza de detención máxima
Todos los números de pieza en la Tabla 1A	Borde no delantero en parte superior	40,4" (1,0 m)	917 libras. (4,1 kN)	1.421 libras. (6,3 kN)	56" (1,4 m)	861 libras. (3,8 kN)	1.336 libras. (5,9 kN)	42" (1,1 m)	1.575 libras. (7,0 kN)	1.800 libras. (8 kN)
	Condición de borde delantero, 5' por debajo del anillo en D	115" (2,9 m)	866 libras. (3,9 kN)	1.292 libras. (5,7 kN)	154" (3,9 m)	889 libras. (4,0 kN)	1.605 libras. (7,1 kN)	N/A	N/A	

**Tabla 1C: Atributos de rendimiento CSA de 8' FT-X EdgeCore Clase 2 SRL-P**

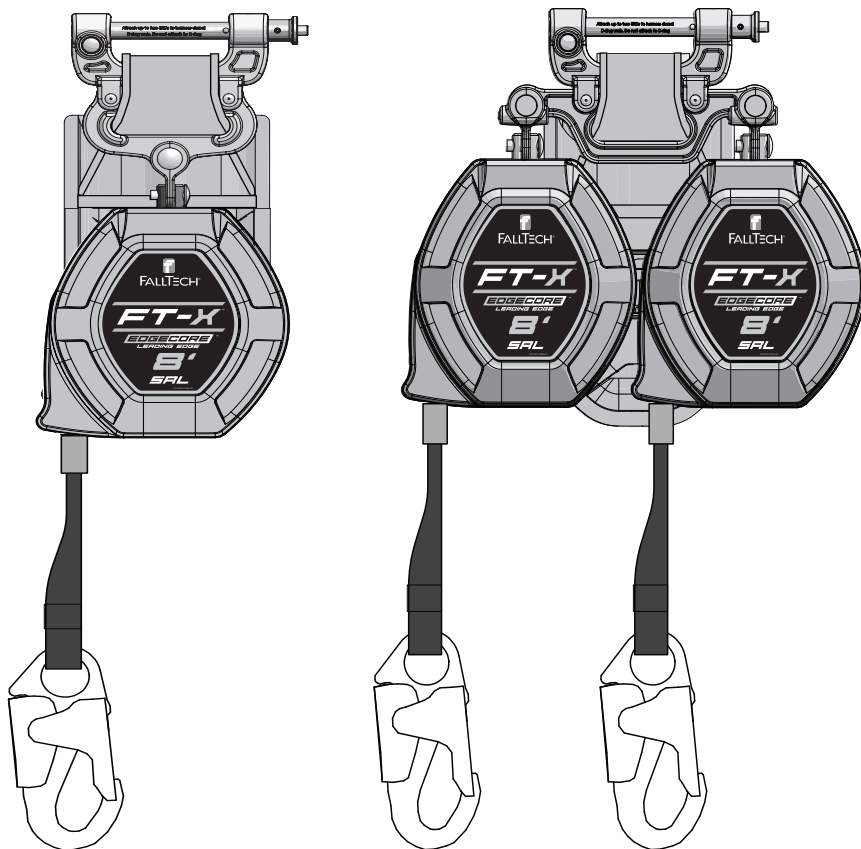
No. de pieza y condiciones		Rendimiento habitual para 130 a 310 libras (59-141 kg) Usuario			Requisitos de rendimiento de CSA para usuarios de 130 a 310 libras (59-141 kg)		
Modelo #	Condición de anclaje	Distancia de despliegue	Fuerza de despliegue promedio	Fuerza de detención máxima	Distancia de despliegue máxima	Fuerza de despliegue promedio	Fuerza de detención máxima
Todos los números de pieza en la Tabla 1A	Borde no delantero en parte superior	1,0 m (38,4")	4,1 kN (923 libras)	6,2 kN (1.393 libras)	1,2 m (47,2")	6,0 kN (1.350 libras)	8,0 kN (1.800 libras)
	Condición de borde delantero, 5' (1,5 m) por debajo del anillo en D	1,6 m (64,2")	4,2 kN (948 libras.)	6,8 kN (1.530 libras)	N/A	N/A	

**Tabla 1D: Números de pieza de SRD de reemplazo de 8' FT-X EdgeCore**

Part #	Conector de extremo de pata
5049	N/A; Llave inglesa
84108RP0	Mini gancho de refuerzo de acero
84108RP0S	Mini gancho de refuerzo giratorio de acero
84108RP1	Mosquetón de acero
84108RP2	Mosquetón giratorio de acero
84108RP3	Gancho de refuerzo de acero
84108RP3S	Gancho de refuerzo giratorio de acero
84108RP3X	Gancho de refuerzo extra grande de acero
84108RP5	Gancho de refuerzo de aluminio
84108RP6	Mosquetón de ojal cautivo de aluminio

## Manuel de l'utilisateur

### SRL-P à bord d'attaque de classe 2 FT-X<sup>MC</sup> EdgeCore<sup>MC</sup>



Ce manuel est conçu en conformité avec les consignes du manufacturier, tel que requis par l'American National Standards Institute (ANSI) Z359 et l'Association canadienne de normalisation (CSA) et doit être utilisé comme partie intégrante du programme de formation des employés, tel que requis par l'Occupational Safety and Health Administration (OSHA).

FallTech © 2023

1306 South Alameda Street Compton, CA 90221, E-U

1-800-719-4619 • 1-323-752-0066

[www.FallTech.com](http://www.FallTech.com)

## Table des matières

1.0 Avertissements et informations importantes..	48
2.0 Description .....	49
3.0 Utilisation .....	51
4.0 Exigences du système.....	52
5.0 Installation et utilisation .....	54
6.0 Entretien, service et rangement .....	60
7.0 Inspection.....	61
8.0 Étiquettes .....	64
9.0 Définitions.....	65

Aux fins de ce manuel, le bord d'attaque SRL-P de classe 2 FT-XMC EdgeCoreMC dans toutes les itérations peut être désigné collectivement comme le FT-X, le FT-X, le SRL-P, le bord d'attaque SRL , le SRL, l'équipement, l'appareil, le produit ou l'unité.

Tout au long de ce manuel, des mots, des phrases et des termes de protection contre les chutes ANSI Z359.0-2012 sont utilisés. Ces termes sont tous formellement définis dans la section 9 de ce manuel.

## 1.0 Avertissements et informations importantes

### AVERTISSEMENT

- Évitez de déplacer des machines et de les exposer à des risques thermiques, électriques ou chimiques, car tout contact avec le produit peut entraîner des blessures graves, voire la mort.
- Évitez les chutes balancées.
- Respectez les restrictions de poids et les recommandations de ce manuel.
- Mettez hors service tout équipement soumis à des forces antichute.
- Mettez hors service tout équipement qui échoue à l'inspection.
- N'altérez pas l'équipement intentionnellement et utilisez-le correctement.
- Consultez FallTech lorsque vous utilisez cet équipement en combinaison avec des composants ou sous-systèmes autres que ceux décrits dans ce manuel.
- Ne pas connecter d'émerillon ou de gros mousqueton aux anneaux dorsaux en D du harnais corporel complet, car cela pourrait provoquer une condition de décrochage ou un désengagement involontaire.
- Soyez prudent lorsque vous effectuez des soudures à l'arc. Les étincelles causées par les opérations de soudage à l'arc, y compris les arcs électriques accidentels, peuvent endommager l'équipement et sont potentiellement mortelles.
- Examinez la zone de travail. Soyez conscient de l'environnement et des dangers qui peuvent avoir un impact sur la sécurité, la sûreté et le fonctionnement des dispositifs et des composants des systèmes de blocage de chute.
- Les dangers peuvent inclure, mais sans s'y limiter, les risques de trébuchement sur des câbles ou des débris, les pannes d'équipement, les erreurs du personnel ou le déplacement d'équipements tels que des chariots, des brouettes, des chariots élévateurs, des grues ou des socles roulants. Ne laissez pas les matériaux, outils ou équipements en transit entrer en contact avec une quelconque partie du système antichute.
- Ne pas travailler sous des charges suspendues.

### IMPORTANT

Ce produit fait partie d'un système antichute personnel, de retenue, de positionnement de travail, de suspension ou de sauvetage. Un système antichute personnel (SAP) est généralement composé d'un ancrage et d'un harnais de sécurité complet (HCC), avec un dispositif de connexion, c'est-à-dire une longe absorbant les chocs (LAC) ou une longe auto-rétractable (LAR), attaché à l'anneau en D dorsal du HCC.

Ces instructions doivent être fournies à l'utilisateur de l'équipement en question. Le travailleur doit lire et comprendre les consignes du fabricant pour chaque composante ou partie du système complet. Les consignes du fabricant doivent être suivies rigoureusement lors de l'utilisation, l'entretien et la maintenance de ce produit. Ces consignes doivent être conservées et maintenues à la disposition du travailleur de façon à ce qu'il puisse s'y référer à tout moment. Toute utilisation incorrecte de ce produit et le non-respect des consignes peuvent entraîner des blessures graves, voire la mort.

Un plan de protection antichute doit demeurer disponible pour consultation et accessible à tous les travailleurs. Il est de la responsabilité du travailleur et de l'acheteur de cet équipement de s'assurer que les destinataires de cet équipement sont correctement formés à son utilisation, son entretien et son entreposage. La formation doit être renouvelée à intervalles réguliers et ne doit pas exposer l'apprenant à des risques de chute.

Consultez un médecin si vous doutez de votre aptitude à absorber le choc d'une chute en toute sécurité. L'âge et la condition physique affectent inévitablement la capacité d'un travailleur à résister aux chutes. Les femmes enceintes ou les mineurs ne doivent pas utiliser cet équipement.

L'ANSI limite le poids des utilisateurs d'équipement de protection contre les chutes à un maximum de 140,6 kg (310 lb). Les produits de ce manuel peuvent avoir une capacité nominale dépassant les limites de capacité de l'ANSI. Les utilisateurs lourds courent plus de risques de blessures graves ou de décès dus aux chutes en raison des forces d'arrêt de chute accrues placées sur le corps de l'utilisateur. De plus, l'apparition d'un traumatisme de suspension après une chute peut être accélérée chez les personnes plus lourdes.

L'utilisateur de l'équipement dont il est question dans ce manuel doit lire et comprendre l'intégralité du manuel avant de commencer son travail.

NOTE : Pour plus d'informations, consulter l'ensemble des normes ANSI Z359 ou CSA Z259.



## 2.0 Description

La SRL-P à bord d'attaque de classe 2 FT-X<sup>MC</sup> EdgeCore<sup>MC</sup> est un dispositif auto-rétractable pour ceux qui travaillent en hauteur et peut être sujet à des risques de chute, y compris des risques de bord d'attaque.

Ce manuel comprend une annexe contenant des figures et des tableaux spécifiques à la SRL-P FT-X EdgeCore discutée dans ce manuel.

La SRL dont il est question dans ce manuel peut être attachée à un ancrage à la verticale, c'est-à-dire directement au-dessus de la tête de l'utilisateur, ou à un ancrage à un maximum de 1,5 m (5 pi) sous l'anneau en D dorsal du HCC de l'utilisateur.

Le bord d'attaque désigne le côté et le bord non protégés d'un sol, d'un toit ou d'un coffrage pour un sol ou une autre surface de marche/de travail (telle qu'une terrasse) qui change d'emplacement lorsque des sections supplémentaires de sol, de toit, de terrasse ou de coffrage sont placées, formées ou construit; voir la Figure 1.

Comme le montre la figure 2 ci-dessous, la FT-X EdgeCore dispose d'un boîtier en nylon qui contient une ligne de vie synthétique enroulée sur un tambour à ressort. La corde de sécurité FT-X EdgeCore est munie d'un arrêt de corde de sécurité et d'un connecteur d'extrémité de jambe. Lorsque l'utilisateur est attaché, la corde de sécurité s'étend et se rétracte avec le mouvement de l'utilisateur, maintenant automatiquement la corde de sécurité tendue. En cas de chute, un système de cliquet centrifuge s'engage, arrêtant le dévidage de la corde de sécurité. En cas de chute, le connecteur de la SRL du HCC se détachera du connecteur de cisaillement et l'absorbeur d'énergie (AE) intégral se déploiera, ralentissant et arrêtant progressivement la chute.

Voir le tableau 1A de l'annexe A pour les spécifications des produits, des matériaux et des performances.

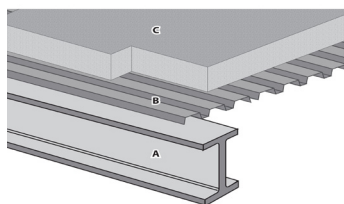


Figure 1 - Bords extrêmement tranchants typiques	
<b>A</b>	Poutres et pannes en I en acier de charpente
<b>B</b>	Pont d'acier et toiture métallique
<b>C</b>	Béton coulé/préfabriqué et blocs de béton armé

**Les exemples ne visent pas à décrire l'étendue complète de toutes les arêtes vives dangereuses trouvées sur les chantiers.**

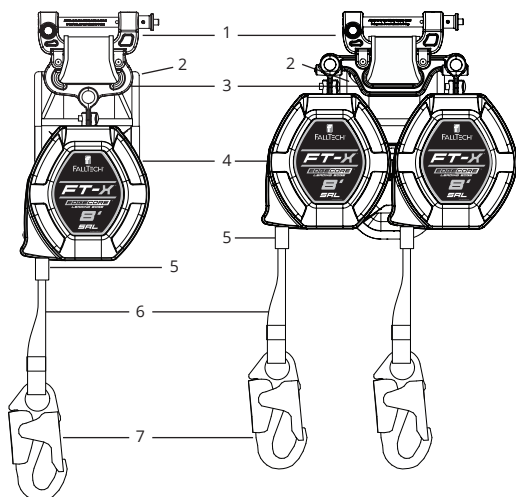


Figure 2 - À propos du bord d'attaque SRL-P de classe 2 FT-X EdgeCore	
<b>1</b>	Connecteur SRL-FBH
<b>2</b>	Amortisseur d'énergie
<b>3</b>	Assemblage du connecteur
<b>4</b>	Logement
<b>5</b>	Arrêt de corde de sécurité
<b>6</b>	Corde de sécurité synthétique
<b>7</b>	Mousqueton

## 2.1 L'American National Standards Institute (ANSI) et l'Occupational Safety and Health

**Administration (OSHA):** Le DAR décrit dans ce manuel est conforme aux normes ANSI Z359.14-2021, ANSI A10.32-2023 et aux réglementations 1926.502 et 1910.140 de l'Occupational Safety and Health Administration (OSHA). L'ANSI exige que les DAR soient classés en fonction du type d'utilisation auquel l'utilisateur serait exposé et soient testés en classe 1 ou en classe 2. Les performances dynamiques signifient que le DAR est installé dans une tour de test. Un poids de test est fixé au DAR puis déposé. Les résultats des tests sont enregistrés.

Les paramètres enregistrés sont:

- Distance d'arrêt (DA)
- Force d'arrêt moyenne (FAM)
- Force maximale d'arrêt (FMA)

La distance d'arrêt correspond à la distance verticale totale nécessaire pour arrêter une chute. La distance d'arrêt comprend la distance de décélération et la distance d'activation. La force d'arrêt moyenne est la moyenne des forces appliquées au corps et à l'ancrage par le système de protection contre les chutes. La force maximale d'arrêt est la quantité de force maximale qui peut être appliquée au corps et à l'ancrage par le système de protection contre les chutes. En plus des essais ci-dessus effectués dans des conditions ambiantes, les appareils doivent aussi être soumis à un nouvel essai pour les forces moyennes et maximales dans certaines conditions environnementales. Ces appareils sont refroidis, puis testés, chauffés, puis testés ou saturés d'eau et testés de nouveau. Des unités séparées peuvent être utilisées pour chaque test. Tous les résultats des tests sont enregistrés.

Les données du test sont ensuite utilisées afin d'établir la base des directives de contrôle des chutes publiées dans le manuel d'utilisation.

Classe 1 et 2 :Les dispositifs de classe 1 doivent être utilisés uniquement sur des ancrages aériens et doivent être soumis à une chute libre maximale de 0,6 m (2 pi) ou moins. Les dispositifs de classe 2 sont destinés aux applications où un ancrage aérien peut ne pas être disponible ou faisable et être soumis à une chute libre de pas plus de 1,8 m (6 pi) sur un bord.

Pour être déclaré appareil de Classe 1 et Classe 2, l'ANSI exige qu'un DAR ait une distance d'arrêt en hauteur inférieure à 1,1 m (42 po), une force d'arrêt moyenne inférieure à 612,3 kg/1 350 lb (6 kN) [714,5 kg/1 575 lb (7 kN) conditionnée] et une force d'arrêt maximale de 616,5 kg/1 800 lb (8 kN), pour les essais à l'air libre et conditionnés.

Lorsqu'ils sont testés dynamiquement conformément aux exigences de la norme Z359.14-2021 de l'ANSI, les dispositifs auto-rétractables de classes 1 et 2 de FallTech ont une force d'arrêt moyenne de 612,3 kg/1 350 lb (6 kN) ou moins et une hauteur d'arrêt de moins de 1,1 m (42 po).

Veuillez consulter la section 5 de ce manuel d'utilisation pour savoir comment calculer votre dégagement minimal requis lors d'une chute (DMC).

Les SRL-P de classe 2 doivent inclure une étiquette illustrant le dégagement de chute requis lors de l'utilisation de l'appareil. Cette étiquette doit être apposée sur le produit. Le Bord d'attaque SRL-P de classe 2 FT-XMC EdgeCoreMC inclut cette étiquette dans le couvercle de l'absorbeur d'énergie.

Veuillez consulter la section 5.2 de ce manuel d'instructions de l'utilisateur pour savoir comment calculer votre dégagement de chute minimum requis (DCMR) à l'aide des étiquettes apposées.

Les informations de classification trouvées sur les étiquettes des produits sont basées sur les résultats des tests. Le tableau 1B de l'annexe A fournit les résultats des tests de performance pour le DAR abordé dans ce manuel. REMARQUE : La distance d'arrêt est l'une des nombreuses parties de la distance de chute minimale requise (DCMR). La DCMR est discutée en détail dans la section 5.

L'OSHA exige qu'un DAR limite la chute libre à 0,9 m (2 pi) ou moins. Si la distance maximale de chute libre doit être dépassée, l'employeur doit documenter, sur la base des données de test, que la force d'arrêt maximale ne sera pas dépassée et que le système antichute personnel fonctionnera correctement. Le DAR décrit dans ce manuel a été testé avec succès pour une utilisation horizontale et tombe sur un bord en acier sans bavures, comme sur les profilés en acier et les tôles métalliques, et peut être utilisé dans des situations où une chute peut se produire sur des bords similaires, comme sur l'acier. formes ou tôles. Des tests supplémentaires ont été effectués sur un substrat de bord en béton, en dehors et au-delà de la portée de la norme ANSI Z359. Pour de plus amples informations

concernant ces tests, veuillez communiquer avec Falltech.

**2.2 Canadian Standards Organization (CSA):** Le FT-R SRL-LE décrit dans ce manuel, lorsqu'il est utilisé conformément aux instructions de ce manuel, respecte ou dépasse la norme Z259.2.2-2017 de la CSA. La CSA exige que tous les DAR soient classés en fonction de leur type respectif et soient classés comme; la classe SRL, classe SRL-R, classe SRL-LE ou classe SRL-LE-R. Le dispositif auto-rétractable FT-X SRL-LE dans ce manuel est de classe SRL-LE.

Les paramètres de test OCN utilisés dans ce manuel sont:

- Distance d'arrêt (DA)
- Force d'arrêt moyenne (FAM)
- Force maximale d'arrêt (FMA)

La distance d'arrêt correspond à la distance verticale totale nécessaire pour arrêter une chute. La distance d'arrêt comprend la distance de décélération et la distance d'activation. La force d'arrêt moyenne est la moyenne des forces appliquées au corps et à l'ancrage par le système de protection contre les chutes. La force maximale d'arrêt de pointe est la force maximale qui peut être appliquée au corps et à l'ancrage par le système de protection contre les chutes. En plus des essais ci-dessus effectués dans des conditions ambiantes, les appareils doivent aussi être soumis à un nouvel essai pour les forces moyennes et maximales dans certaines conditions environnementales. Ces appareils sont refroidis, puis testés, saturés d'eau et testés de nouveau. Des unités séparées sont utilisées pour chaque test. Tous les résultats des tests sont enregistrés.

Les données du test sont ensuite utilisées afin d'établir la base des directives de dégagement en cas de chute publiées dans le manuel d'utilisation. Voir le tableau 1C.

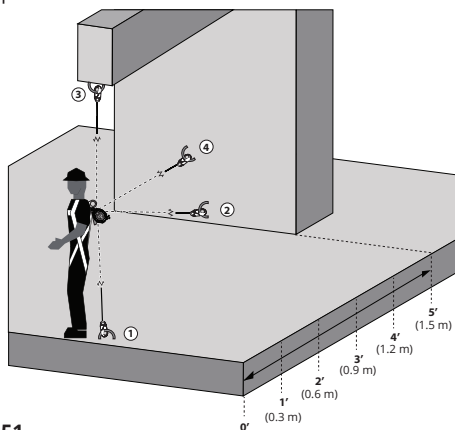
### 3.0 Utilisation

#### 3.1 Objetif:

Le bord d'attaque SRL-P de classe 2 FT-X EdgeCore est conçu pour être utilisé comme composant dans un système antichute personnel (SAP), pour fournir une combinaison de mobilité des travailleurs et de protection contre les chutes comme requis pour les travaux d'inspection, la construction générale, travaux de maintenance, production pétrolière, travaux en espace clos, etc. Le SRL-P FT-XMC EdgeCoreMC peut être utilisé comme protection contre les chutes dans les applications de bord d'attaque où des chutes peuvent se produire sur les bords d'attaque.

#### 3.2 Système antichute personnel (SAP):

Un SAP est un ensemble de composants et de sous-systèmes utilisés pour arrêter une personne lors d'une chute. Un SAP se compose généralement d'un ancrage, d'un dispositif de décélération tel qu'un cordon amortisseur d'énergie (CAE), d'un dispositif à rappel automatique (DAR) ou d'un sous-système de connexion au bloqueur de chute (SSCBC) et d'un harnais corporel complet (HCC) correctement ajusté. Le DAR décrit dans ce manuel peut être utilisé dans des situations d'ancrage non aérien. La chute libre maximale autorisée dans un SAP typique est de 1,8 m (6 pi). D'autres applications peuvent être sous l'anneau en D ou horizontalement dans un ancrage rotatif de CSRA FallTech approuvé, conçu pour une telle utilisation.



**Figure 3 - Emplacements des ancrages**

<b>1</b>	Ancrage du DAR au niveau du pied avec une marge de recul de 0 m (0 pi) par rapport au bord d'attaque
<b>2</b>	Ancrage du DAR au niveau du pied avec une marge de recul de 1,5 m (5 pi) par rapport au bord d'attaque
<b>3</b>	Ancrage supérieur du DAR au-dessus de l'anneau dorsal en D
<b>4</b>	Ancrage du DAR au-dessus de l'anneau dorsal en D avec une marge de recul de 1,5 m (5 pi) du bord d'attaque

### **3.3 Corde de sécurité horizontale (CSH) et systèmes de rail:**

La CSRA peut être fixée à des ancrages rigides et flexibles à condition que toutes les applications, installations et utilisations de la CSH ou du système de rails soient sous la supervision d'une personne qualifiée.

### **3.4 Sauvetage:**

Assurez-vous qu'un plan, une méthode et un système de sauvetage écrits sont en place et facilement disponibles pour une intervention rapide. Les sauvetages peuvent nécessiter des équipements ou des mesures spécialisées. Les opérations de sauvetage sortent du cadre de ce manuel. Voir l'ANSI Z359.4.

### **3.5 Limites d'application:**

Prenez des mesures pour éviter les machines en mouvement, les surfaces abrasives et les risques thermiques, électriques, y compris l'arc des applications de soudage et les risques chimiques, car le contact peut endommager la CSRA, ce qui peut entraîner des blessures graves ou la mort. La CSRA n'est pas conçue pour être utilisée dans la retenue, le déplacement du personnel, la suspension ou le positionnement pour le travail. Les applications de sauvetage sortent du cadre de ce manuel. N'utilisez pas la CSRA pour ces applications, sauf en tant que SAP de secours.

## **4.0 Exigences du système**

### **4.1 Capacité:**

Le bord d'attaque SRL-P de classe 2 FT-X EdgeCore est conçu pour être utilisé par un seul utilisateur avec un poids combiné de l'utilisateur, des outils, des vêtements, etc., de

- a. 59 - 141 kg (130 - 310 lb) pour se conformer aux normes de l'ANSI, la CSA et l'OSHA
- b. 59 - 191 kg (130 - 420 lb) pour se conformer aux normes de l'OSHA uniquement

### **4.2 Compatibilité des connecteurs:**

Les connecteurs sont considérés comme compatibles avec les éléments de raccordement lorsqu'ils ont été conçus pour fonctionner ensemble de telle manière que leurs dimensions et leurs formes n'entraînent pas l'ouverture intempestive de leurs mécanismes de tête quelle que soit leur orientation. Pour toutes questions concernant la compatibilité, veuillez communiquer avec FallTech. Les connecteurs doivent être compatibles avec l'ancrage ou les autres composants du système. N'utilisez pas d'équipement qui n'est pas compatible, voir la Figure 4. Les connecteurs non compatibles peuvent se désengager involontairement. Les connecteurs doivent être compatibles en termes de dimension, de forme et de résistance. Les connecteurs à fermeture et verrouillage automatiques sont requis par l'ANSI et l'OSHA.

### **4.3 Compatibilité des composants:**

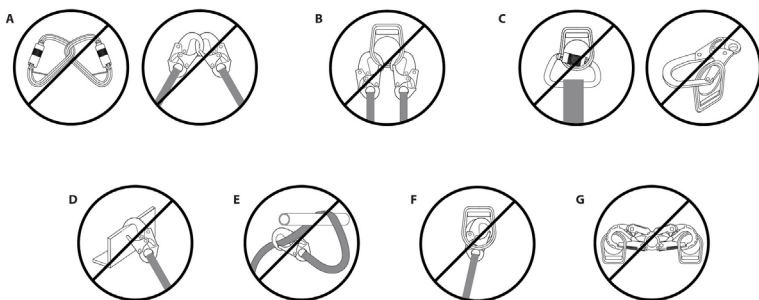
L'équipement est conçu pour être utilisé uniquement avec des composants et des sous-systèmes approuvés. Les substitutions ou remplacements effectués avec des composants ou des sous-systèmes non approuvés peuvent compromettre la compatibilité de l'équipement et peuvent affecter la sécurité et la fiabilité du système au complet.

### **4.4 Faire des connexions:**

Utilisez uniquement des connecteurs autobloquants avec cet équipement. Utilisez uniquement des connecteurs adaptés à chaque application. Assurez-vous que toutes les raccordements sont compatibles en termes de dimension, de forme et de résistance. N'utilisez pas d'équipement non compatible. Assurez-vous visuellement que tous les connecteurs sont complètement fermés et verrouillés. Les connecteurs sont conçus pour être utilisés uniquement comme spécifié dans les instructions d'utilisation de chaque produit.

### **4.5 Système antichute personnel (SAP):**

Un système antichute personnel (SAP) est un ensemble de composants et de sous-systèmes utilisés pour arrêter une personne lors d'une chute. Un SAP est généralement composé d'un ancrage et d'un harnais corporel complet (HCC), avec un dispositif de connexion absorbant l'énergie, c'est-à-dire un long absorbant les chocs (LAC) ou une longe auto-rétractable (LAR), attaché à l'anneau en D dorsal du HCC. Les composants du SAP utilisés conjointement avec cette LAR doivent être conformes aux exigences de l'ANSI Z359 et aux réglementations de l'OSHA applicables.



**Figure 4 - Raccordements non compatibles**

<b>A</b>	Ne jamais connecter deux composants actifs (mousquetons) ensemble.
<b>B</b>	Ne connectez jamais deux composants actifs (mousquetons) à un seul anneau en D.
<b>C</b>	Ne jamais brancher d'une manière qui entraînerait une charge sur le port.
<b>D</b>	Ne jamais attacher à un objet d'une manière qui empêcherait la tête (du mousqueton) de se fermer et de se verrouiller complètement. Protégez-vous toujours contre les mauvais raccordements en inspectant visuellement la fermeture et le verrouillage.
<b>E</b>	Ne jamais attacher explicitement à un sous-composant constitutif (sangle, câble ou corde) sauf si cela est spécifiquement prévu par les instructions du fabricant pour les deux sous-composants (crochet ou mousqueton et sangle, câble ou corde).
<b>F</b>	N'attachez jamais le connecteur de façon à ce qu'un élément du connecteur (le port ou le levier de déverrouillage) puisse s'accrocher à l'ancrage, ce qui augmenterait le risque de faux engagement.
<b>G</b>	N'attachez jamais un mousqueton d'écarteur à deux anneaux en D latéraux de manière à ce que les anneaux en D s'engagent dans les ports ; les ports d'un écarteur doivent toujours faire face aux anneaux en D pendant le positionnement, et ce, pendant toute la durée de l'opération.

#### 4.6 Force d'arrêt moyenne et distance d'arrêt:

Les tableaux 1B et 1C de l'annexe A fournissent des données de test sur les attributs de performance typiques des trois paramètres principaux : distance d'arrêt, force d'arrêt moyenne et force d'arrêt maximale, répertoriés par numéro de modèle et classe. Les tests sont effectués dans diverses conditions environnementales, à température ambiante, dans des conditions chaudes, froides et humides. Lors des tests du fabricant, les attributs de performance les plus défavorables de la CSRA, raccordé de 1,5 m (5 pi) sous l'anneau en D dorsal dans une application de bord d'attaque sont:

1,5 m (5 pi) sous l'anneau en D dorsal dans une application de bord d'attaque	59 à 141 kg (130 à 310 lb.)	59 à 191 kg (130 à 420 lb.)
Plus grande distance d'arrêt	2,9 m (115 po)	3,9 m (154 po)
Force d'arrêt moyenne la plus importante	917 lb (4,1 kN)	889 lb (4,0 kN)
Force d'arrêt maximale la plus importante	1421 lb (6,3 kN)	1605 lb (7,1 kN)

La personne compétente peut trouver ces données utiles pour planifier l'emplacement de l'ancrage et calculer les charges et les distances entre le niveau de marche/de travail et l'obstacle le plus proche ou le niveau inférieur. Voir la section 5.

NOTE: La distance d'arrêt est une partie du dégagement minimal requis en cas de chute (DMRC). Le DMRC est déterminé en tenant compte de plusieurs facteurs de protection contre les chutes. La fixation sous le niveau de l'anneau en D du HCC nécessitera un dégagement de chute supplémentaire. Le DMRC est discuté en détail dans la section 5.

#### 4.7 Force d'ancrage du système antichute personnel (SAP):

Un ancrage sélectionné pour l'application du SAP doit avoir la résistance nécessaire pour supporter une charge statique appliquée dans la direction autorisée par le SAP d'au moins:

- Deux fois la force de blocage permise lorsqu'il existe une certification, ou
- 5000 lb (22,2 kN) en l'absence d'une telle certification.

Choisir un emplacement d'ancrage avec soin. Tenir compte de la résistance de la structure, des obstructions dans la trajectoire de chute et des risques de chute par balancement. Dans certaines situations, la personne qualifiée peut déterminer qu'une structure donnée est capable de résister au MAF appliqué du SPAC avec un facteur de sécurité d'au moins deux, comme l'exige l'OSHA.

#### 5.0 Installation et utilisation

##### AVERTISSEMENT

**N'altérez pas l'équipement intentionnellement et utilisez-le correctement. Consultez FallTech lorsque vous utilisez cet équipement en combinaison avec des composants ou sous-systèmes autres que ceux décrits dans ce manuel. Tous les composants ou les sous-systèmes utilisés avec le DAR dont il est question dans ce manuel doivent être conformes à la norme Z359 de l'ANSI, la norme Z259 de CSA et/ou l'OSHA.**

**N'utilisez pas d'émerillons ou de grands mousquetons pour vous connecter aux anneaux dorsaux en D de votre harnais corporel complet ou à tout point d'ancrage incompatible de petit diamètre, car cela pourrait provoquer un déploiement ou un décrochage involontaire.**

#### 5.1 Installation du harnais corporel complet

L'installation pour les configurations à une jambe et à deux jambes du bord d'attaque SRL-P de classe 2 FT-X EdgeCore suit les mêmes étapes répertoriées ci-dessous:

**1re étape:** Sur le HCC, soulevez l'anneau en D dorsal vers le haut, puis desserrez l'intersection des deux sangles qui passent à travers la fente de l'anneau en D pour créer des boucles relâchées d'environ 5 cm (2 po) comme indiqué sur la figure 5A. Veuillez prendre note que certains harnais peuvent avoir une glissière intégrée.

**2e étape:** Appuyez sur les deux boutons de déverrouillage et faites glisser la barre de verrouillage en position ouverte, comme illustré à la figure 5B.

**3e étape:** Fixez le connecteur aux boucles relâchées en insérant la barre de verrouillage à travers les boucles relâchées, comme illustré à la figure 5C.

**4e étape:** Assurez-vous que la barre de verrouillage est complètement insérée et en position verrouillée, voir la figure 5D.

Figure 5 - Installation du bord d'attaque SRL-P de classe 2 FT-X EdgeCore

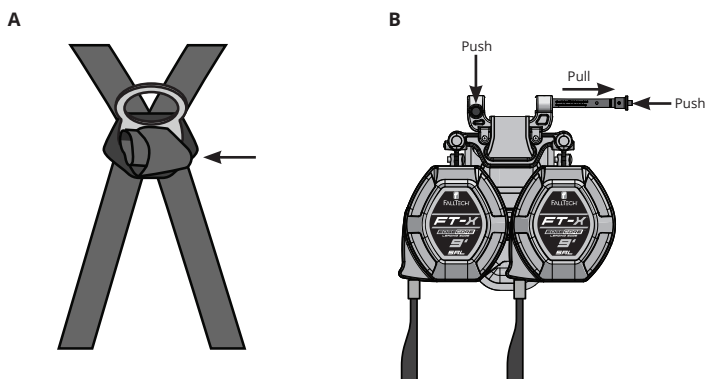
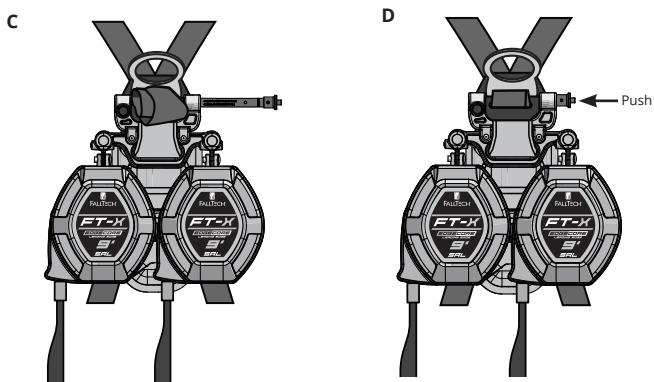


Figure 5 - Installation du bord d'attaque SRL-P de classe 2 FT-X EdgeCore



## 5.2 Attacher à un ancrage

Examinez la zone de travail pour détecter d'éventuels dangers. Veillez à éviter les dangers aériens tels que les grues, les poteaux, les câbles électriques aériens et les dangers liés aux surfaces de marche/ de travail tels que les câbles électriques, les fils de soudage, les tuyaux d'air et de fluide, y compris les risques d'obstruction tels que les colonnes verticales et les piles de matériaux au niveau inférieur. Éliminez les dangers dans la mesure du possible.

S'assurer que l'ancrage fournit le dégagement minimal requis en cas de chute (DMC) dans la trajectoire de chute sous la surface de marche/de travail pour éviter de heurter le niveau inférieur ou un obstacle pendant une situation de chute. Prendre des mesures pour éviter les chutes par basculement, qui se produisent lorsque l'ancrage n'est pas directement au-dessus du point où la chute se produit.

Le dégagement de chute et les chutes par basculement sont soumis à des conditions variables. La hauteur de l'ancrage, le mouvement latéral et la distance de recul affectent tous l'emplacement de l'ancrage en ce qui concerne le dégagement de chute et les chutes par basculement.

La CSRA peut être fixée à un ancrage aérien, c'est-à-dire au-dessus de l'anneau en D dorsal du HCC de l'utilisateur, ou à un ancrage non aérien, c'est-à-dire en dessous de l'anneau en D dorsal du HCC de l'utilisateur. Un ancrage non aérien peut se trouver à un maximum de 1,5 m (5 pi) sous l'anneau en D dorsal du HCC de l'utilisateur. Les emplacements d'ancrage non aériens entraînent un plus grand contact entre la corde de sécurité et le bord et présentent des risques d'abrasion plus importants.

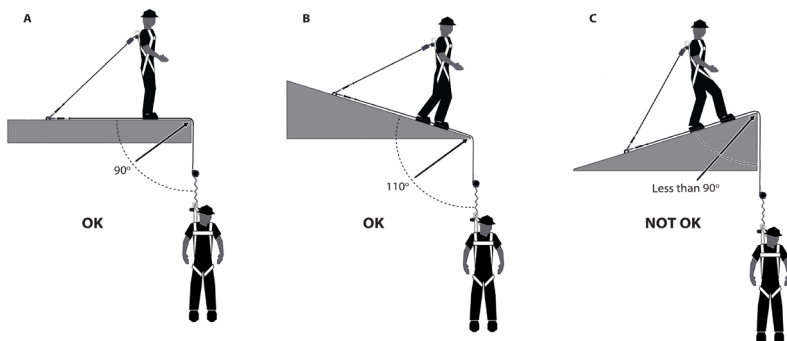
L'utilisation d'un ancrage sous l'anneau en D doit être utilisée en dernier recours, lorsqu'aucune autre option d'ancrage n'existe.

Les tests de performance ont montré qu'un événement de chute sur un bord d'attaque modifiera les caractéristiques de performance de la CSRA et les exigences de dégagement de chute. Lorsqu'il est ancré sous l'anneau en D dorsal de la CSRA, les événements de chute entraîneront des dégagements de chute plus importants. La réduction des distances de recul augmentera également les exigences de dégagement. Un ancrage non aérien lorsque la CSRA est reculée de moins de 1,5 m (5 pi) entraînera le plus grand DMC et le moins de mobilité du travailleur en raison de la chute avec balancement. De plus grandes distances de retrait de 1,5 m (5 pi) ou plus réduiront le DMC global et permettront plus de mouvement latéral du travailleur lorsqu'il est attaché à un ancrage non aérien.

Si la géométrie du chantier le permet, une distance de retrait de 1,5 m (5 pi) est recommandée pour profiter pleinement des performances de la CSRA. De plus, l'angle de redirection de la corde de sécurité, c'est-à-dire l'angle de la corde de sécurité lorsqu'elle passe au-dessus du bord, doit être à 90 degrés ou plus, jamais moins, voir la Figure 6.

Ne fixez pas le connecteur d'ancrage d'une manière qui place le bord plus haut que le connecteur, voir la Figure 6.

Figure 6 - Angle du bord d'attaque de la redirection de la corde de sécurité



### 5.3 Utilisation du bord d'attaque SRL-P de classe 2 FT-X EdgeCore

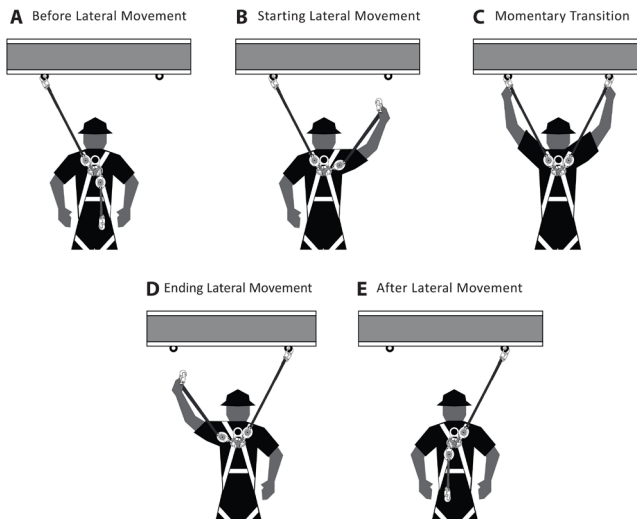
Avant chaque utilisation, inspectez le FT-X EdgeCore conformément à la section 7. Mettez l'appareil hors service si l'inspection révèle des dommages ou un dysfonctionnement.

Enfilez le HCC (avec le FT-X EdgeCore attaché) conformément aux instructions du fabricant du harnais.

Suivez les instructions contenues dans ce manuel et sur les étiquettes. Le non-respect des instructions peut entraîner des blessures graves ou la mort.

Raccordez le connecteur d'extrémité de jambe à un point d'ancrage approuvé. Assurez-vous que le connecteur se ferme et se verrouille. Dans une configuration à deux jambes, fixez le connecteur d'extrémité de jambe inutilisé au support de longe du HCC. Assurez-vous que tous les raccords sont compatibles. Le fonctionnement normal permettra à la longueur de travail de la corde de sécurité de s'allonger et de se rétracter au fur et à mesure que le travailleur se déplace. Lors de l'utilisation d'une configuration à deux jambes, il est possible de se déplacer latéralement entre les points d'ancrage avec un arrimage à 100 %, comme illustré à la Figure 7.

Figure 7 - CRA à deux jambes pour le mouvement latéral





Évitez les mouvements brusques ou rapides pendant le fonctionnement normal du travail, car cela peut entraîner l'engagement du système de cliquet du la CSRA et éventuellement entraîner une perte d'équilibre, ce qui peut entraîner des blessures ou la mort. En cas de chute, le système de cliquet s'enclenche et verrouille la corde de sécurité. L'AE se déploiera pour arrêter la chute et limiter les forces d'arrêt sur l'utilisateur.

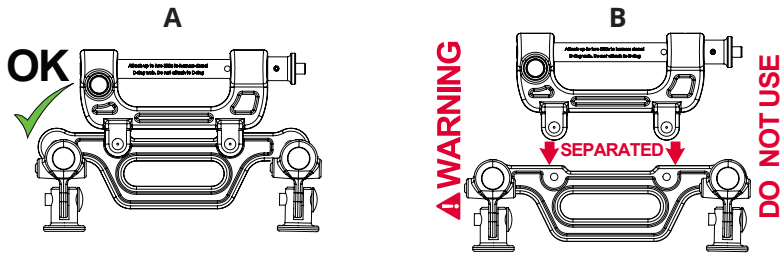
### 5.3.1 Mécanisme de verrouillage:

Le DAR utilise un mécanisme de verrouillage basé sur l'accélération. La fonction de verrouillage nécessite certaines étapes lors d'un événement de chute pour fonctionner correctement. Certaines situations, des espaces confinés ou exigus, des sols mouvants tels que du sable, du gravier, du grain ou une surface inclinée peuvent empêcher la ligne de vie d'atteindre une vitesse suffisante pour activer le mécanisme de verrouillage. Un chemin libre est nécessaire pour assurer le verrouillage positif du DAR. Assurez-vous que le système d'arrêt fonctionne correctement. Tirez la corde de sécurité sur une courte distance et tirez-la d'un coup sec. La corde de sécurité doit se verrouiller. Si elle ne se verrouille pas, retirez-la immédiatement du service. Assurez-vous que la zone de travail reste dans les paramètres indiqués. Méfiez-vous des dangers du bord d'attaque.

### 5.3.2 Indicateur visuel:

Le principal indicateur visuel est le connecteur de cisaillement. Les moitiés du connecteur de cisaillement se sépareront si le SRL-P a été soumis à des forces d'arrêt de chute, comme illustré à la Figure 8, Image B. Si le connecteur de cisaillement est séparé, retirez l'unité du service. Pour les indicateurs visuels déployés, les DAR et l'absorbeur d'énergie doivent être retirés du service et détruits. Les unités DAR ne doivent pas être récupérées et réutilisées avec d'autres absorbeurs d'énergie.

Figure 8 - Indicateur visuel



### 5.3.3 Après une chute:

Une chute par-dessus un rebord peut nécessiter un équipement et des mesures de sauvetage particuliers. Assurez-vous qu'un plan, une méthode et un système de sauvetage écrits sont en place et facilement accessibles à tous les utilisateurs pour une réponse rapide. Assurez-vous que tous les utilisateurs sont formés aux procédures de sauvetage. Si un événement de chute se produit, retirez le dispositif du service et rangez-le séparément. Retirez du service toute unité qui a été soumise à des forces d'arrêt de chute ou qui présente des dommages compatibles avec de telles forces. Pour toute question, communiquez avec FallTech.

### 5.3.4 Utilisation du DAR:

Utilisez pas le DAR si l'inspection révèle des dommages ou un dysfonctionnement. Enfilez le HCC conformément aux instructions du fabricant du HCC. Suivez les instructions contenues dans ce manuel et sur les étiquettes. Le non-respect des instructions peut entraîner des blessures graves ou la mort. Raccordez le connecteur SRL-FBH à l'anneau en D dorsal sur le HCC. Assurez-vous que le connecteur se ferme et se verrouille. Fixez le mousqueton d'extrémité de jambe à l'ancrage choisi et assurez-vous que le connecteur d'extrémité de jambe se ferme et se verrouille. Assurez-vous que tous les raccords sont compatibles. Le fonctionnement normal permettra à la longueur de travail de la corde de sécurité de s'allonger et de se rétracter au fur et à mesure que le travailleur se déplace. Une certaine tension doit rester sur le câble à tout moment pour assurer le bon fonctionnement du frein interne. Ne laissez pas la corde de sécurité se relâcher. Si la corde de sécurité se relâche, retirez le DAR du service pour inspection. Voir l'article 7.

Éviter les mouvements brusques pendant le travail, car le frein du DAR risque de s'enclencher et de provoquer une perte d'équilibre et des blessures, voire la mort.

Si une chute se produit, le frein s'engagera et verrouillera la ligne de vie. L'AE se déploie pour arrêter la chute et limiter la force d'arrêt sur l'utilisateur

- NE PAS prolonger la ligne de vie au-delà de sa limite opérationnelle.
- NE PAS permettre à une ligne de vie DAR de s'emmêler ou de se tordre avec une autre ligne de vie DAR en cours d'utilisation.
- NE PAS permettre à la ligne de vie de passer sous les bras ou entre les jambes pendant son utilisation.
- NE PAS serrer, nouer ou empêcher la ligne de vie de se rétracter ou de se tendre.
- NE PAS allonger le DAR en connectant la ligne de vie ou un composant similaire.
- NE PAS permettre à la ligne de vie de rester à l'extérieur du boîtier lorsqu'elle n'est pas utilisée.

### 5.3.4 Données de déploiement CSA Z259.2.2-17 (R2022):

Le déploiement est égal au facteur de déploiement multiplié par la distance de chute libre, h. Voir le tableau ci-dessous pour le facteur de déploiement.

Facteur de déploiement pour une masse de 140 kg	0,9
Distance maximale de déploiement (ancrage aérien)	0,97 m (3,2 pi)
Distance maximale de déploiement (1,8 m (6 pi) Chute libre)	2,0 m (6,7 pi)
Force de déploiement moyenne	672 lb (3,0 kN)
Force maximale d'arrêt	7,1 kN (1 605 lb)

## 5.4 Calcul du dégagement de chute minimum requis

### 5.4.1 FT-X dans une application d'ancrage au-dessus de la tête, sans bord d'attaque [utilisateur de 59 à 141 kg (130 à 310 lb)]

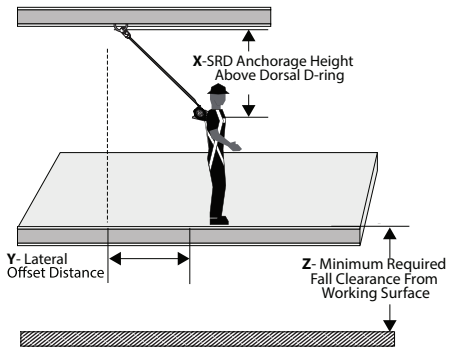
Le FT-X peut être utilisé comme un DAR standard dans une condition aérienne, dans laquelle le DAR est installé n'importe où dans la zone de fixation autorisée, qui va directement au-dessus de l'utilisateur jusqu'au niveau avec l'anneau en D de HCC, comme illustré dans les figures 9.

Le dégagement minimal requis en cas de chute (DMRC) en hauteur est calculé à l'aide de quatre mesures, mesurées à partir de la surface de travail : la distance de décélération du DAR, le décalage de l'anneau en D et l'étirement du harnais [0,3 m (1 pi)], le facteur de sécurité [0,5 m (1,5 pi)] et la chute par basculement. Le diagramme de la Figure 11 est calculé à l'aide des données de performances du DAR et inclut les quatre mesures répertoriées précédemment pour déterminer la DMRC.

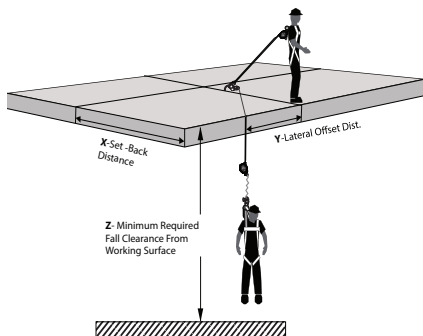
### 5.4.2 Le FT-X avec une application d'ancrage de bord d'attaque à ancrage non aérien [utilisateur de 59 à 141 kg (130 à 310 lb)]

Le dégagement de chute minimum requis (DCMR) du bord d'attaque/sous l'anneau en D est calculé à l'aide de cinq mesures, mesurées à partir de la surface de travail : la distance de décélération du DAR, décalage de l'anneau en D et étirement du harnais [0,3 m (1 pi)], facteur de sécurité [0,5 m (1,5 pi)], hauteur de l'anneau en D dorsal [1,5 m (5 pi)] et chute par basculement. La hauteur de l'anneau en D dorsal est ajoutée pour tenir compte de l'arrimage de l'anneau en D inférieur par rapport à la condition au-dessus de la tête.

**Figure 9 - Dégagement minimal requis en cas de chute pour un ancrage aérien**

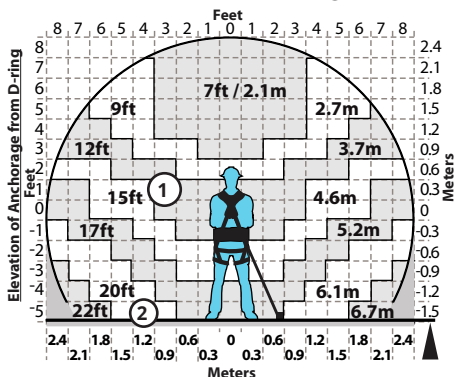


**Figure 10 - Ancrage non aérien pour le dégagement minimal requis en cas de chute (DMC)**



**Figure 11 - Dégagement de chute minimum requis pour le FT-X pour les utilisateurs de 59 à 141 k (130 à 310 lb)**

**Horizontal Distance to Anchorage from Dorsal D-Ring**



**Minimum Required Fall Clearance Indicated in figure above**

**MINIMUM REQUIRED FALL CLEARANCE FOR**

**130-310 lb (59-141kg) USER**

Des incréments de 0,3 m (1 pi) le long de l'axe X représentent la distance horizontale à l'ancrage à laquelle l'utilisateur travaille loin du DAR	Des incréments de 0,3 m (1 pi) vers le haut de l'axe Y représentent l'élévation de l'ancrage par rapport à l'anneau en D dorsal de l'utilisateur
<b>1er exemple:</b> Si l'utilisateur travaille à 0,9 m (3 pieds) du DAR et que le DAR est ancré entre l'anneau en D dorsal de l'utilisateur ou jusqu'à 0,6 m (2 pieds) au-dessus de l'anneau en D. Le dégagement de chute minimum requis est de 3,7 m (12 pi), y compris la chute par basculement.	
<b>2e exemple:</b> Si l'utilisateur doit travailler à 1,2 m (4 pi) le long du bord et que le DAR est ancré au niveau des pieds, le dégagement de chute minimum requis est de 6,1 m (20 pi), y compris la chute par basculement.	

**5.4.3 FT-X dans une application d'ancrage au-dessus de la tête, sans bord d'attaque [utilisateur de 141 à 191 kg (310 à 420 lb)]**

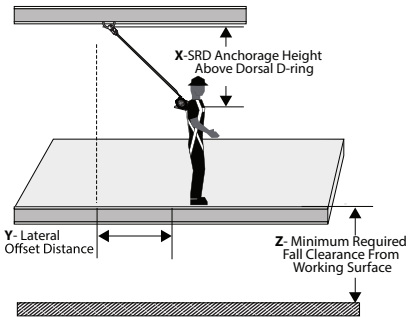
Le FT-X peut être utilisé comme un DAR standard dans une condition aérienne, dans laquelle le DAR est installé n'importe où dans la zone de fixation autorisée, qui va directement au-dessus de l'utilisateur jusqu'au niveau avec l'anneau en D de HCC, comme illustré dans les figures 9.

Le dégagement minimal requis en cas de chute (DMRC) en hauteur est calculé à l'aide de quatre mesures, mesurées à partir de la surface de travail : Distance de décélération du DAR, décalage de l'anneau en D et étirement du harnais [1 pied (0,3 m)], facteur de sécurité [1,5 pied (0,5 m)] et chute par basculement. Le diagramme de la Figure 14 est calculé à l'aide des données de performances du DAR et inclut les quatre métriques répertoriées précédemment pour déterminer le DMRC.

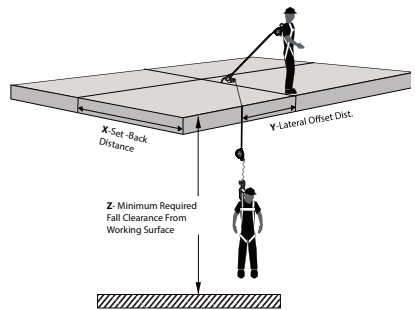
### 5.4.4 FT-X avec une application d'ancrage de bord d'attaque d'ancrage non aérien [utilisateur de 141 à 191 kg (310 à 420 lb)]

Le dégagement de chute minimum requis (DCMR) du bord d'attaque/sous l'anneau en D est calculé à l'aide de cinq mesures, mesurées à partir de la surface de travail : la distance de décélération du DAR, décalage de l'anneau en D et étirement du harnais [0,3 m (1 pi)], facteur de sécurité [0,5 m (1,5 pi)], hauteur de l'anneau en D dorsal [1,5 m (5 pi)] et chute par basculement. La hauteur de l'anneau en D dorsal est ajoutée pour tenir compte de l'arrimage de l'anneau en D inférieur par rapport à la condition au-dessus de la tête.

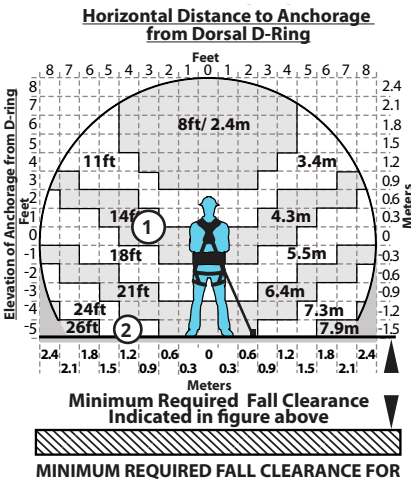
**Figure 12 - Ancrage aérien pour le dégagement minimal requis en cas de chute (DMC)**



**Figure 13 - Ancrage non aérien pour le dégagement minimal requis en cas de chute (DMC)**



**Figure 14 - Dégagement de chute minimum requis pour le FT-X pour les utilisateurs de 141 à 191 kg (310 à 420 lb)**



**310-420 lb (141-191kg) USER**

Des incréments de 0,3 m (1 pi) le long de l'axe X représentent la distance horizontale à l'ancrage à laquelle l'utilisateur travaille loin du DAR	Des incréments de 0,3 m (1 pi) vers le haut de l'axe Y représentent l'élévation de l'ancrage par rapport à l'anneau en D dorsal de l'utilisateur
<b>1er exemple:</b> Si l'utilisateur travaille à 0,9 m (3 pi) du DAR et que le DAR est ancré entre l'anneau en D dorsal de l'utilisateur ou jusqu'à 0,3 m (1 pi) au-dessus de l'anneau en D. Le dégagement minimum requis en cas de chute est de 4,3 m (14 pi), y compris la chute par basculement.	
<b>2e exemple:</b> Si l'utilisateur doit travailler à 1,2 m (4 pi) du DAR le long du bord et que le DAR est ancré au niveau des pieds, le dégagement de chute minimum requis est de 7,3 m (24 pi), y compris la chute par basculement.	

## 6.0 Entretien, service et rangement

### 6.1 Entretien:

Assurez-vous que la corde de sécurité à rappel automatique (CSRA) est exempte d'excès de peinture, de graisse, de saleté ou d'autres contaminants, car cela pourrait entraîner un dysfonctionnement de la corde de sécurité ou du mécanisme de rétraction. Assurez-vous qu'aucun débris ne pénètre dans le boîtier. Nettoyez l'extérieur du dispositif selon les besoins avec une solution détergent/eau. Ne laissez pas l'eau ou d'autres éléments causant de la corrosion pénétrer dans le boîtier. Après le nettoyage, tirez complètement la corde de sécurité, laissez le dispositif sécher à l'air, puis rétractez la corde de sécurité dans le dispositif. Nettoyez les étiquettes au besoin.

NE PAS sécher à la chaleur.  
N'essayez PAS de démonter la CSRA.

### 6.2 Service:

Si une réparation est nécessaire pour une raison quelconque, telle qu'un échec d'inspection, une charge d'impact, tout type de dysfonctionnement, étiquetez le dispositif comme « INUTILISABLE » et mettez-le hors service. Ce produit comprend une fonction qui permet de remplacer individuellement les DAR intégrés si la corde de sécurité du DAR est usée ou endommagée lors d'une utilisation normale. Tout dommage à l'amortisseur ou à l'indicateur visuel déployé ne peut pas et ne doit pas être entretenu ou réparé. Une fois retirée du service, le DAR peut être retiré et remplacé à l'aide de l'outil clé 5049. Le remplacement du DAR ne doit être effectué que par une personne compétente ou un centre de réparation FallTech agréé. Lisez et suivez le manuel d'instructions de l'utilisateur de l'outil clé (448-00009). Le non-respect de cette consigne peut entraîner un mauvais fonctionnement de la CSRA, ce qui peut entraîner des blessures graves ou la mort. La CSRA doit être inspectée par une personne compétente avant de la remettre en service. Pour demander un outil clé 5049, communiquez avec FallTech. Remarque : Seuls les FT-X EdgeCores de 8' de long peuvent être réparés sur le terrain.

### 6.3 Entreposage:

Entreposez le FT-XMC EdgeCoreMC dans un environnement frais, sec et propre, à l'abri de la lumière directe du soleil. Positionnez la CSRA de manière à ce que l'excès d'eau puisse s'écouler. Évitez l'exposition aux vapeurs chimiques ou caustiques. Inspectez soigneusement la CSRA après toute période d'entreposage prolongée.

## 7.0 Inspection

### 7.1 Inspection par l'utilisateur avant l'utilisation:

Effectuez une inspection avant chaque utilisation en lien avec les recommandations du tableau 1 ci-dessous.

Tableau 1 - Directives pour l'inspection de la corde de sécurité à rappel automatique (CSRA) FT-X EdgeCore		
Inspection	Passer	Échouer
La corde de sécurité doit s'extraire et se rétracter complètement, sans faiblir et doit rester tendue sous tension sans s'affaisser.		
Extraiga la cuerda de salvamento varias pulgadas y aplique un tirón firme para confirmar los bloqueos de SRL. El bloqueo debe ser seguro y sin deslices. Repita este procedimiento de bloqueo en lugares adicionales a lo largo de la cuerda de salvamento para confirmar que el SRL funciona correctamente.		
Inspectez toute la longueur de la corde de sécurité afin de détecter toute trace d'abrasion, de fils cassés ou emmêlés, de brûlures, de coupures ou de nœuds. Inspectez les dommages causés par la saleté, la peinture, la graisse ou l'huile. Inspectez l'absence de décoloration ou d'autres dommages causés par une exposition à des produits chimiques ou à une chaleur excessive. Inspectez les fissures ou autres dommages dus à une exposition extrême à la lumière ultraviolette. Si l'une de ces conditions existe, retirez immédiatement le SRL-P du service.		
Examinez le connecteur SRL-FBH pour des fissures, des ruptures ou des déformations. Assurez-vous que la barre de verrouillage se verrouille en position verrouillée.		
Vérifiez l'absorbeur d'énergie pour des déchirures ou d'autres dommages.		
Vérifiez que l'assemblage du connecteur n'est pas fissuré, déformé ou endommagé.		
Examinez l'ensemble de l'unité CSRA pour toute indication de détérioration ou de dommage.		
Toutes les étiquettes doivent être intactes et lisibles.		

**Si une inspection révèle des défauts ou des dommages à l'équipement, retirez l'équipement du service.**

### 7.2 Fréquence d'inspection:

Une inspection par une personne compétente à intervalles réguliers est requise. La personne compétente utilisera les informations du tableau 2, Recommandations d'inspection pour la CSRA, afin de déterminer la fréquence d'inspection. Utilisez le tableau 2 pour déterminer la fréquence d'inspection. Une inspection par une entité d'inspection autorisée par l'usine à intervalles réguliers est également recommandée.

### 7.3 Liste de vérification pour l'inspection:

Utilisez le Tableau 1 : Directives pour l'inspection de la CSRA avec câble pour inspecter la CSRA.

#### 7.4 Résultats d'inspection:

Si une inspection révèle des défauts ou des dommages à l'équipement, un entretien inadéquat ou des indicateurs de chute activés, mettez l'équipement hors service.

#### 7.5 Inspection du document:

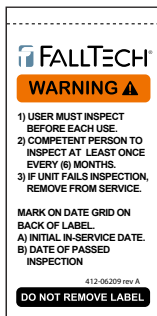
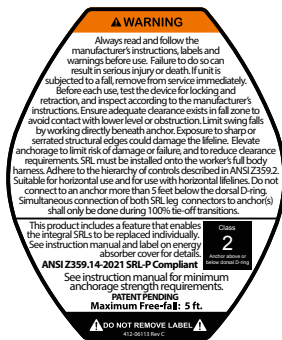
Inscrire les résultats de l'inspection dans le registre d'inspection fourni ci-dessous ou dans un document semblable.

<b>Tableau 2 - Recommandations d'inspection pour la corde de sécurité à rappel automatique (CSRA) selon l'ANSI Z359.14-2021</b>			
<b>Type d'emploi</b>	<b>Exemples d'application</b>	<b>Conditions d'utilisation</b>	<b>Fréquence d'inspection par une personne compétente</b>
<b>Utilisation peu fréquente à légère</b>	Entretien de l'usine et de l'espace de sauvetage et de confinement	Bonnes conditions d'entreposage, utilisation intérieure ou extérieure peu fréquente, température ambiante, environnement propre.	Annuellement
<b>Utilisation modérée à élevée</b>	Transport, construction résidentielle, services publics, entrepôt	Conditions de stockage équitables, utilisation intérieure et extérieure prolongée, toutes températures, environnements propres ou poussiéreux	Semi-annuellement à annuellement
<b>Utilisation intensive à continue</b>	Construction commerciale, pétrole et gaz, mines	Conditions d'entreposage difficiles, utilisation prolongée ou continue à l'extérieur, toutes températures, environnements sales	Trimestriellement à semi-annuellement

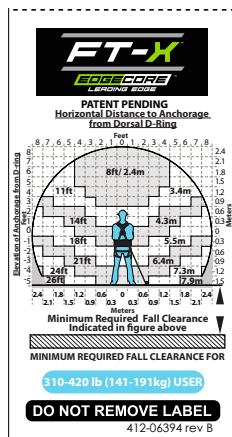
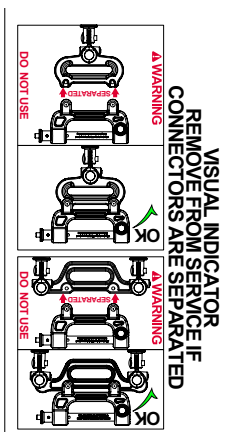
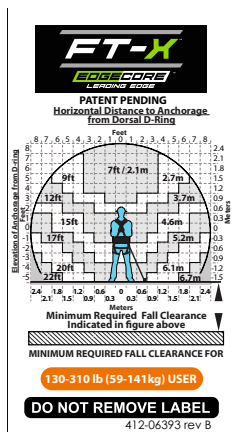


## 8.0 Étiquettes

Les étiquettes doivent être présentes et lisibles.



Date:	Initial:



### FallTech

Style#: 84108SP1  
 Date of Mfg: MAR 2023  
 Serial Number: 1234567  
 Working Length: 8 ft.  
 Lifeline Material:  
 HMPE/Kevlar/Polyester  
 Capacity, Single user:  
 OSHA: 130-420 Lbs  
 ANSI: 130-310 Lbs  
 Max Arrest Force: 1,800 lbs  
 Avg Arrest Force: 1,350 lbs  
 Max Arrest Distance when anchored overhead: 42 in  
 Clearance required when falling over an edge:  
 19 ft for a 310 lb user  
 22 ft for a 420 lb user  
 Minimum set back distance: 0 ft  
 Inspect before each use.  
 Remove from service if energy absorber has been deployed.

DO NOT REMOVE LABEL

Style#: 84108SP1  
 Date de Fabrication:  
 (Voir le Recto de l'étiquette)  
 Numéro de Série  
 (Voir le Recto de l'étiquette)  
 Longueur de Travail: 2,4m  
 La Corde d'assurance Material:  
 HMPE/Kevlar/Polyester  
 Distance Minimale de Recul: 0m  
 CSA INFORMATION  
 CSA Z259.2.2-2017  
 Class/Class: SRL-LE  
 Capacity/Capacité:  
 130lbs to 310lbs (58.9kg-140.6kg)  
 Single User/Utilisateur Unique  
 Maximum Free Fall Distance/  
 Distance Maximale de Chute Libre  
 5 ft (1.5m)  
 Maximum Arrest Force/  
 Force d'arrêt Maximale: 8kN  
 Average Deployment Force/  
 Force de Déploiement Moyenne  
 674.0 lbf (3.0kN)

CSA INFORMATION - Con't  
 When SRD is anchored overhead,  
 maximum deployment/  
 Lorsque SRD est ancré au-dessus de  
 la tête: 3.7 ft (1.1m)  
 When SRD is anchored so that free fall  
 is possible, maximum deployment/  
 Lorsque le SRD est ancré de sorte  
 possible, déploiement maximal  
 6.7 ft (2.1m)  
 Deployment Factor, D140 = 0.9  
 Facteur de Déploiement, D140 = 0.9  
 Follow all manufacturer's  
 instructions included at  
 time of shipping. This  
 device shall be removed  
 from service when the  
 energy absorber is  
 deployed.  
 Suivez toutes les  
 instructions du fabricant  
 incluses au moment de  
 l'expédition. Ce  
 dispositif doit être  
 retiré du service lorsque  
 l'absorbeur d'énergie est  
 Leading Edge Device  
 Dispositif de pointe  
 NE PAS RETIRER L'ÉTIQUETTE



## 9.0 Définitions

Les termes généraux reliés à la protection contre les chutes, tels que définis par l'ANSI Z359.0-2012, se présentent comme suit:

**Ancrage:** Un point de connexion sécurisé ou un composant terminal d'un système de protection contre les chutes ou d'un système de sauvetage capable de supporter en toute sécurité les forces d'impact appliquées par un système de protection contre les chutes ou un sous-système d'ancrage.

**Connecteur d'ancrage:** Un composant ou un sous-système qui fonctionne comme une interface entre l'ancrage et un système de protection contre les chutes, de positionnement de travail, d'accès par corde ou de sauvetage dans le but de coupler le système à l'ancrage.

**Distance d'arrêt:** La distance verticale totale nécessaire pour arrêter une chute. La distance d'arrêt comprend la distance de décélération et la distance d'activation.

**Personne autorisée:** Une personne désignée par l'employeur pour effectuer des tâches à un endroit où la personne sera exposée à un risque de chute.

**Dégagement disponible:** La distance entre un point de référence, tel que la plate-forme de travail, et l'obstacle le plus proche qu'une personne autorisée pourrait rencontrer lors d'une chute qui, si elle était heurtée, pourrait causer des blessures.

**Capacité:** Le poids maximal qu'un composant, un système ou un sous-système est conçu pour soutenir.

**Certification:** L'acte d'attester par écrit que les critères établis par ces normes ou une autre norme désignée ont été respectés.

**Ancrage certifié:** Un ancrage pour les systèmes antichute, de positionnement, de retenue ou de sauvetage qu'une personne qualifiée certifiée être capable de supporter les forces de chute potentielles qui pourraient être rencontrées lors d'une chute.

**Dégagement:** La distance entre un point de référence spécifié, comme la plate-forme de travail ou l'ancrage d'un système antichute, et le niveau inférieur qu'un travailleur pourrait rencontrer lors d'une chute.

**Exigence de dégagement:** La distance en dessous d'une personne autorisée qui doit rester libre de tout obstacle afin de s'assurer que la personne autorisée n'entre pas en contact avec des objets qui pourraient causer des blessures en cas de chute.

**Personne compétente:** Une personne désignée par l'employeur pour être responsable de la supervision immédiate, de la mise en œuvre et de la surveillance du programme géré de protection contre les chutes de l'employeur qui, grâce à la formation et aux connaissances, est capable d'identifier, d'évaluer et de traiter les risques de chute existants et potentiels, et qui a l'autorité de l'employeur autorité pour prendre rapidement des mesures correctives à l'égard de tels dangers.

**Composant:** Un élément ou un ensemble intégral d'éléments interconnectés destinés à remplir une fonction dans le système.

**Sous-système de raccordement:** Un assemblage, y compris les connecteurs nécessaires, composé de tous les composants, sous-systèmes, ou les deux, entre l'ancrage ou le connecteur d'ancrage et le point d'attache du harnais.

**Connecteur:** Un composant ou un élément qui est utilisé pour coupler des parties du système ensemble.

**Distance de décélération:** La distance verticale entre l'accessoire antichute de l'utilisateur au début des forces d'arrêt de chute lors d'une chute et après l'arrêt complet de l'accessoire antichute.

**Absorbeur d'énergie (choc):** Composant dont la fonction première est de dissiper l'énergie et de limiter les forces de décélération que le système impose au corps lors d'un blocage de chute.

**Blocage de chute:** L'action ou l'événement de blocage d'une chute libre ou l'instant où la chute libre vers le bas a été bloquée.

**Composant:** Un élément ou un ensemble intégral d'éléments interconnectés destinés à remplir une fonction dans le système.

**Sous-système de raccordement:** Un assemblage, y compris les connecteurs nécessaires, composé de tous les composants, sous-systèmes, ou les deux, entre l'ancrage ou le connecteur d'ancrage et le point d'attache du harnais.

**Connecteur:** Un composant ou un élément qui est utilisé pour coupler des parties du système ensemble.

**Distance de décélération:** La distance verticale entre l'accessoire antichute de l'utilisateur au début des forces d'arrêt de chute lors d'une chute et après l'arrêt complet de l'accessoire antichute.

**Absorbeur d'énergie (choc):** Composant dont la fonction première est de dissiper l'énergie et de limiter les forces de décélération que le système impose au corps lors d'un blocage de chute.

**Blocage de chute:** L'action ou l'événement de blocage d'une chute libre ou l'instant où la chute libre vers le bas a été bloquée.

**Longe:** Composant composé d'une corde flexible, d'un câble métallique ou d'une sangle, qui a généralement un connecteur à chaque extrémité pour se connecter au support du corps et à un système antichute, un absorbeur d'énergie, un connecteur d'ancrage ou un ancrage.

**Sous-système de raccordement à la longe:** Un ensemble, comprenant les connecteurs nécessaires, composé d'une longe uniquement, ou d'une longe et d'un absorbeur d'énergie.

**Système antichute personnel (SAP):** Ensemble de composants et de sous-systèmes utilisés pour arrêter une personne en chute libre.

**Positionnement:** Action de soutenir le corps avec un système de positionnement dans le but de travailler les mains libres.

**Longe de positionnement:** Longe utilisée pour transférer les forces d'un support corporel à un ancrage ou à un connecteur d'ancrage dans un système de positionnement.

**Personne qualifiée:** Une personne titulaire d'un diplôme ou d'un certificat professionnel reconnu et possédant une connaissance, une formation et une expérience approfondies dans le domaine de la protection contre les chutes et du sauvetage, capable de concevoir, d'analyser, d'évaluer et de spécifier des systèmes de protection contre les chutes et de sauvetage.

**Dispositif auto-rétractable (DAR):** Un dispositif qui contient une corde de bobinage à tambour qui se verrouille automatiquement au début d'une chute pour arrêter l'utilisateur, mais qui se déroule et se rétracte automatiquement sur le tambour pendant le mouvement normal de la personne à laquelle la corde est attachée.

**Mousqueton:** Connecteur constitué d'un corps en forme de crochet avec une barrière normalement fermée ou un agencement similaire qui peut être ouvert pour permettre au crochet de recevoir un objet et, lorsqu'il est relâché, se ferme automatiquement pour retenir l'objet.

**Chute par basculement:** Un mouvement de type pendule qui se produit pendant et/ou après une chute. Une chute avec balancement se produit lorsqu'une personne autorisée commence une chute à partir d'une position située horizontalement à l'écart d'un ancrage fixe.

Tableau 1A : Spécifications du SRL-P de classe 2 FT-X EdgeCore


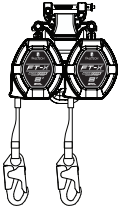
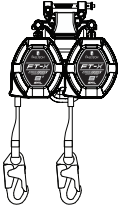
no du modèle	Matériel de la ligne de vie	Longueur de travail et poids	Matériels et spécifications	Capacité et normes	Images
84108SP0 84108SP0S 84108SP1 84108SP2 84108SP3 84108SP3S 84107SP3X 84108SP5 84108SP6	HMPE/Kevlar/ Polyester	2,4 m (8 pi)	Logement : nylon  Connecteur d'ancrage : 5 000 lb (22,2 kN) avec avec une force de tête de 3 600 lb (16 kN)  Connecteur SRL-FBH : aluminium forgé pour un minimum de 3 600 lb (16 kN)	Capacité d'utilisateur unique pour la conformité ANSI/CSA : 59 à 141 kg (130 à 310 lb)  Capacité d'utilisateur unique pour la conformité OSHA :59 à 191 kg (130 à 420 lb)  Z359.14-2021 de l'ANSI SRL-P de classe 2  SRL-LE selon la CSA Z259.2.2-17 (R2022)  OSHA 1926.502 OSHA 1910.140	
84106TP0 84106TP1 84106TP3		1,8 m (6 pi) 3,3 kg (7,2 lb)			
84108TP0 84108TP0S 84108TP1 84108TP2 84108TP3 84108TP3S 84107TP3X 84108TP5 84108TP6		2,4 m (8 pi) 3,3 kg (7,3 lb)			

Tableau 1B : Attributs de performance du SRL-P de classe 2 FT-X EdgeCore selon l'ANSI/OSHA

Numéro des pièces et conditions		Performance typique pour l'utilisateur de 59-141 kg (130 à 310 lb)			Performance typique pour un utilisateur de 59-191 kg (130 à 420 lb)			Exigences de performance de l'ANSI pour un utilisateur de 59-141 kg (130 à 310 lb)		
Numéro de la pièce	Condition pour l'ancrage	Hauteur d'arrêt	Force d'arrêt moyenne	Force maximale d'arrêt	Hauteur d'arrêt	Force d'arrêt moyenne	Force maximale d'arrêt	Distance d'arrêt maximum	Force d'arrêt moyenne *Conditionnée	Force maximale d'arrêt
Tous les numéros de pièce dans le tableau 1A	Sans bord d'attaque au dessus de la tête	1,0 m (40,4 po)	917 lbf (4,1 kN)	1421lbf (6,3 kN)	1,4 m (56 po)	861 lbf (3,8 kN)	1336 lbf (5,9 kN)	1,1 m (42 po)	1575 lbf (7,0 kN)	1800 lbf (8 kN)
	État du bord d'attaque, 1,5 m (5 pi) sous l'anneau en D	2,9 m (115 po)	866 lbf (3,9 kN)	1292 lbf (5,7 kN)	3,9 m (154 po)	889 lbf (4,0 kN)	1605 lbf (7,1 kN)	N/A	N/A	

**Table 1C : Attributs de performance du SRL-P de classe 2 FT-X EdgeCore selon la CSA**

Numéro des pièces et conditions		Performance typique pour l'utilisateur de 59-141 kg (130 à 310 lb)			Exigences de performance de la CSA pour l'utilisateur de 59-141 kg (130 à 310 lb)		
Numéro de la pièce	Condition pour l'ancrage	Distance de déploiement	Force de déploiement moyenne	Force maximale d'arrêt	Distance de déploiement maximale	Force de déploiement moyenne	Force maximale d'arrêt
Tous les numéros de pièce dans le tableau 1A	Sans bord d'attaque au dessus de la tête	1,0 m (38,4 po)	4,1 kN (923 lbf)	6,2 kN (1393 lbf)	1,2 m (47,2 po)	6,0 kN (1350 lbf)	8,0 kN (1800 lbf)
	État du bord d'attaque, 1,5 m (5 pi) sous l'anneau en D	1,6 m (64,2 po)	4,2 kN (948 lbf)	6,8 kN (1530 lbf)	N/A	N/A	

**Tableau 1D : Numéros de pièce pour le DAR de remplacement FT-X EdgeCore de 8 pi**

Numéro de la pièce	Connecteur pour les jambes
5049	S. O.; outil clé
84108RP0	Mini émerillon en acier
84108RP0S	Mini émerillon pivotant en acier
84108RP1	Mousqueton en acier
84108RP2	Mousqueton pivotant en acier
84108RP3	Émérillon en acier
84108RP3S	Émérillon pivotant en acier
84108RP3X	Très grand émerillon en acier
84108RP5	Émérillon en aluminium
84108RP6	Mousqueton Captive-Eye en aluminium