



RESPIREX™



MODEL SIMH024(Drawstring Neck Seal)
MODEL SIMH055(Under Collar Neck Seal)



MODEL SIMH036(Drawstring Neck Seal)
MODEL SIMH056(Under Collar Neck Seal)
MODEL SIMH057(Drawstring Neck Seal)
MODEL SIMH058(Under Collar Neck Seal)

SUPPLIED-AIR RESPIRATOR INSTRUCTION MANUAL

TYPE C CONTINUOUS-FLOW CLASS
NIOSH APPROVAL NO. TC-19C-327

READ ALL INSTRUCTIONS AND WARNINGS BEFORE USE

Contents

Special or Critical User's Instructions	2
General Information	3
Component Concept	4
Supplied-Air Respirator Part N° Specification	5
Warnings.....	6
Operations	8
Pre-checking The Supplied-Air Respirator	10
Donning The Supplied-Air Respirator.....	11
Doffing The Supplied-Air Respirator	13
Inspection & Replacement Of Component Parts.....	14
Removing And Re-Fitting The Control Waist Belt	14
Replacing The Silencer	15
Replacing The Removable Visor (Rigid Visor Models Only).....	16
Replacing Exhalation Valve Diaphragm	16
Replacing Exhalation Valve Assembly.....	18
Fitting Approved Quick Connect Couplings Onto The Air Line Hoses.....	19
Cleaning.....	19
Storage	19
Spare Parts & Accessories For Respirex Supplied-Air Respirators.....	20
Couplings & Nipples For Air Supply Hoses.....	22
Returning Goods For Repair	23



RESPIREX INTERNATIONAL LIMITED,
 Unit F Kingsfield Business Centre, Philanthropic Road,
 Redhill, Surrey. RH1 4DP ENGLAND
 Tel : 44 (0) 1737 778600 Fax : 44 (0) 1737 779441



TYPE 'C' CONTINUOUS FLOW SUPPLIED-AIR RESPIRATOR
 THESE RESPIRATORS ARE APPROVED ONLY IN THE FOLLOWING CONFIGURATIONS

RESPIRATOR COMPONENTS																								
TC#	1. Protection	Alternate Respirator Hoods					Alternate Flow Regulator & Belt	Alternate Quick Disconnects						Alternate Hoses/Lengths			2. Limitations & Cautions							
		SIMH024	SIMH036	SIMH055	SIMH056	SIMH057	SIMH058	G00121	G00115	D0134	D0135	D0136	D0137	D0138	D0139	D0140		D0141	10'	25'	50'	100'	50' Retractable Hose Reel	G00314
19C-327	SA/CF	X	X	X	X	X	X	X	X	X	X	X	X	X	X	X	X	X	X	X	X	X	X	A,B,C,D,E,J,M,N,O,S

1. Protection - SA = Supplied-Air, CF = Continuous Flow

2. Cautions & Limitations

A - Not for use in atmospheres containing less than 19.5 percent oxygen.

B - Not for use in atmospheres immediately dangerous to life or health.

C - Do not exceed maximum use concentrations established by regulatory standards.

D - Air-line respirators can be used only when the respirators are supplied with respirable air meeting the requirements of CGA G-7.1 Grade D or higher quality.

E - Use only the pressure ranges and hose lengths specified in the instruction manual.

J - Failure to properly use and maintain this product could result in injury or death.

M - All approved respirators shall be selected, fitted, used and maintained in accordance with OSHA and other applicable regulations.

N - Never substitute, modify, add or omit parts. Use only exact replacement parts in the configuration as specified by the manufacturer.

O - Refer to user's instructions and/or maintenance manuals for information on use and maintenance of these respirators.

S - Special or critical User's Instructions and/or specific use limitations apply. Refer to User's Instructions before donning.

Special or Critical User's Instructions

Breathing Air Pressure Table

The table outlines the pressure range achieved using 3/8" bore hose in different lengths fitted with Male & Female couplings. The gauge readings shown are with the air flowing through the garment.

Blouse Model (Part No.)	Air Supply Hose (Part No.)	Air Supply Hose Length (Feet)	Number Of Hose Sections	Required Pressure Range (psig air)
SIMH024 SIMH036 SIMH055 SIMH056 SIMH057 SIMH058	G00316/10 G00316/25 G00316/50 G00316/100	10	1	12-15
		25	1	13-18
		50	1	15-20
		50	2	16-22
		75	3	19-26
		100	1	17-24
		100	2	19-26
		100	4	22-29
		150	3	23-31
		200	2	24-32
300	3	29-39		
50ft Retractable Hose Reel, G00314		50		16-22

General Information

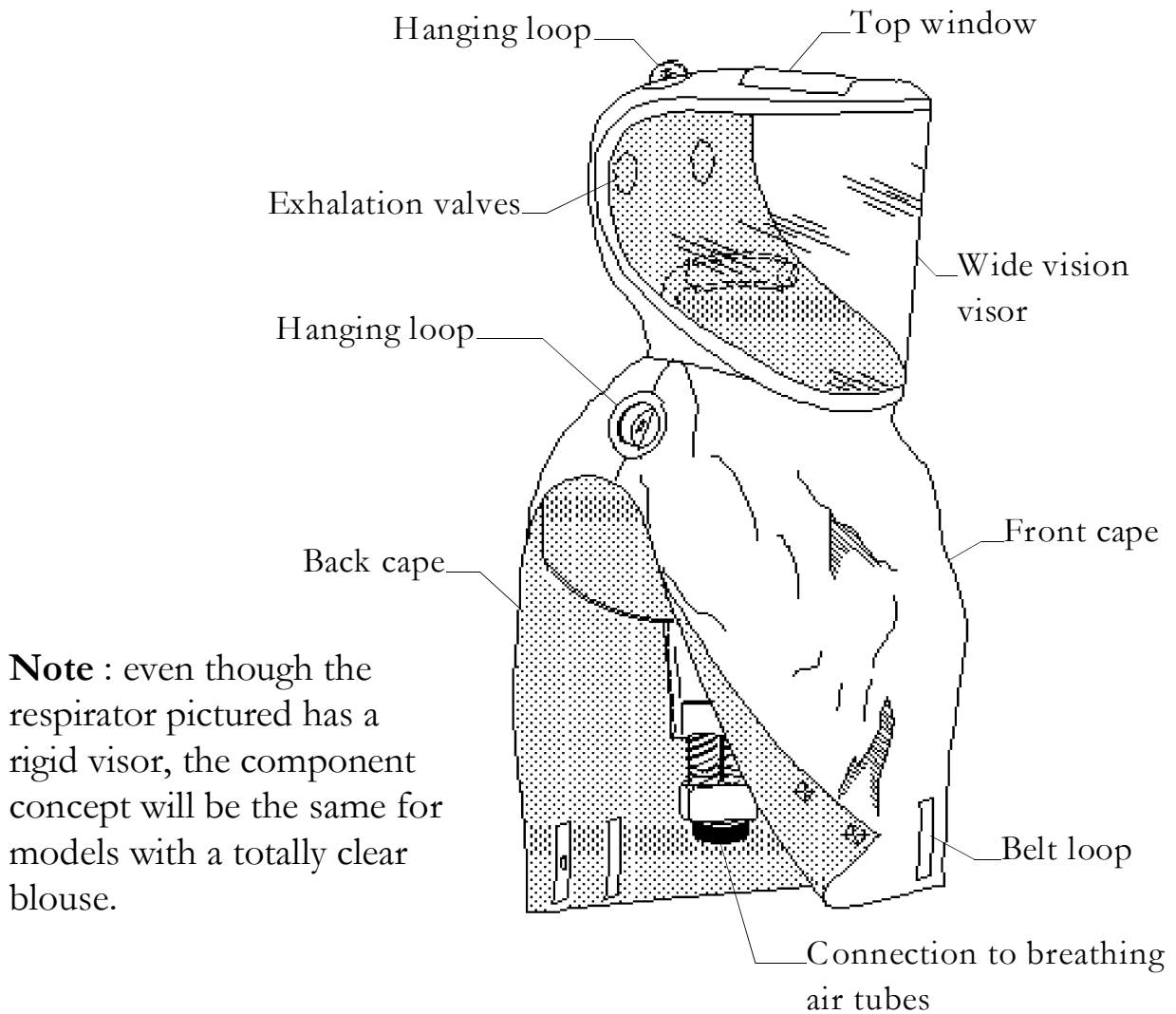
Respirex Supplied-Air Respirators, when properly used, provide a continuous flow of air from a remote air source, to the wearer. Respirex Supplied-Air Respirators offer protection from airborne contaminants that are not immediately dangerous to life or health (IDLH). Consult OSHA, EPA, NIOSH or ACGIH regulations and recommendations before use.

Respirex Supplied-Air Respirators are approved by NIOSH (advise) Type C to provide respirator protection in general purpose applications including pharmaceutical manufacturing, chemical and pesticide handling, tank cleaning, spray painting and other industrial or agricultural applications in which hazardous compounds are present.

Respirex Supplied-Air Respirators are compatible with breathing air compressors.

Respirex also supply airline hose and fittings to connect the respirator to the breathing air source.

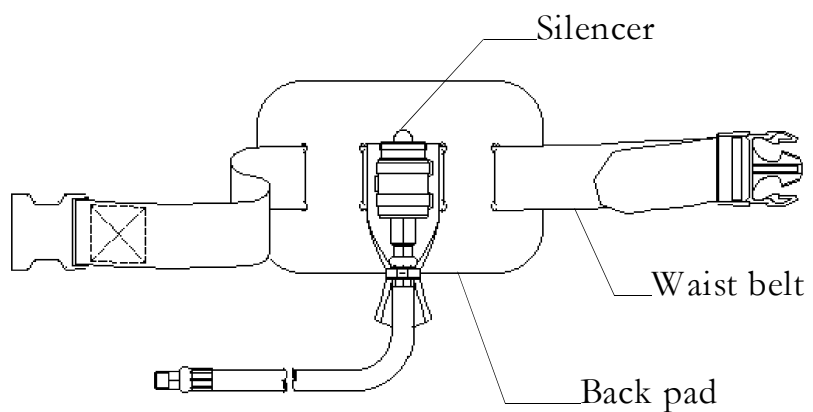
Component Concept



Note : even though the respirator pictured has a rigid visor, the component concept will be the same for models with a totally clear blouse.

Clean Breathable Air Source

Supplying Grade 'D'
or Higher Air Quality
(see Breathing Air
Requirements on
Pages 8 & 9)



WARNING

Failure to use complete NIOSH approved Respirator components and replacement parts voids approval of entire assembly.

Supplied-Air Respirator Part N° Specification

Respirex Supplied-Air Respirators are available in four different styles and materials (Note : rigid visor models manufactured from PVC are supplied with a clear panel in the top of the blouse. This feature is not available on rigid visor models manufactured from either Neoprene or Butyl).

Material Of Construction	Rigid Visor with Drawstring Neck Seal	Total Clear hood with Drawstring Neck Seal	Rigid Visor with Under Collar Neck Seal	Total Clear hood with Under Collar Neck Seal
Anti-Static Green PVC	SIMH036/73	SIMH024/73	SIMH056/73	SIMH055/73
Heavy-Weight Yellow PVC	SIMH036/37	SIMH024/37	SIMH056/37	SIMH055/37
Yellow Neoprene	SIMH057/17	SIMH024/17	SIMH058/17	SIMH055/17
Olive Butyl	SIMH057/27	SIMH024/27	SIMH058/27	SIMH055/27

All the above Supplied-Air Respirators come complete with Air Control Waist Belt, either Part No. G00121 or G00115.



Warnings



1. This respirator, when properly fitted and used, significantly reduces, but does not completely eliminate, the breathing of contaminants by the respirator wearer. You may obtain better respiratory protection from other types of respiratory protection equipment such as a valve operated pressure-demand airline respirator or a pressure-demand self-contained breathing apparatus respirator.
2. Before using this respirator, be sure your employer has determined that airborne contaminant concentrations do not exceed those allowed by applicable OSHA, EPA, NIOSH or ACGIH regulations and recommendations for continuous-flow supplied-air respirators. Federal law requires that your employer measure and monitor airborne contaminant levels in the work area.
3. Improper respirator use may damage your health and/or cause your death. Improper use may also cause certain life threatening delayed lung diseases such as silicosis, pneumoconiosis or asbestosis.
4. DO NOT wear this respirator if any of the following conditions exist.
 - Atmosphere is immediately dangerous to your life or health.
 - You CANNOT escape without the aid of the respirator.
 - Atmosphere contains less than 19.5% oxygen.
 - Work area is poorly ventilated.
 - Unknown contaminants are present.
 - Contaminants are in excess of regulations or recommendations (as described in item 2 above).
5. DO NOT wear this respirator until you have passed a complete physical exam (perhaps including a lung X-ray) conducted by qualified medical personnel, and have been trained in the respirator's use, maintenance and limitations by a qualified individual (appointed by your employer) who has extensive knowledge of the Respirax supplied-air respirator.
6. DO NOT modify or alter this respirator in any manner. Use only NIOSH approved Respirax components and replacement parts manufactured by Respirax for use with this respirator.

Failure to use NIOSH approved Respirax components and replacement parts such as visors, hoses and flow control devices, voids NIOSH approval of the entire respirator, invalidates all Respirax warranties, and may cause death, lung disease or exposure to other hazardous or life threatening conditions.
7. Inspect all components of this respirator system daily for signs of wear, tear or damage that might reduce the degree of protection originally provided.

Immediately replace worn or damaged components with NIOSH approved Respirax Simplair components or remove respirator from service (See INSPECTION AND STORAGE section on pages 14 and 19 for proper maintenance of the supplied-air respirator).
8. Be certain your employer has determined that the breathing air source provides at least Grade D or better breathable air as specified by C.G.A. commodity specification G-7-1. This respirator must be supplied with clean breathable air at all times.
9. DO NOT connect the respirator's air supply hose to nitrogen, toxic gases, inert gases or other unbreathable, non-Grade D air sources. Check the air source before using the respirator. Failure to connect to the proper air source may result in death or serious injury.
10. DO NOT use this respirator in poorly ventilated areas or confined spaces such as tanks, small rooms, tunnels or vessels unless the confined space is well ventilated and the contaminant concentrations are below the upper limit recommended for this respirator. In addition, follow all procedures for confined space entry, operation and exit as defined in applicable regulations and standards, including 29 CFR 1910.146.

11. If you have any questions concerning the use of this respirator, or if you are not sure whether the atmosphere you are working in is immediately dangerous to your life or health, ask your employer. All instructions for the use and care of this product must be supplied to you by your employer as recommended by the manufacturer and as required by Federal Law (29 CFR 1910.134).
12. DO NOT use this respirator for underwater diving or abrasive blasting operations.

Cautions & Limitations

A - Not for use in atmospheres containing less than 19.5 percent oxygen.

B - Not for use in atmospheres immediately dangerous to life or health.

D - Air-line respirators can be used only when the respirators are supplied with respirable air meeting the requirements of CGA G-7.1 Grade D or higher quality.

C - Do not exceed maximum use concentrations established by regulatory standards.

E - Use only the pressure ranges and hose lengths specified in the instruction manual.

J - Failure to properly use and maintain this product could result in injury or death.

M - All approved respirators shall be selected, fitted, used and maintained in accordance with OSHA and other applicable regulations.

N - Never substitute, modify, add or omit parts. Use only exact replacement parts in the configuration as specified by the manufacturer.

O - Refer to user's instructions and/or maintenance manuals for information on use and maintenance of these respirators.

S - Special or critical User's Instructions and/or specific use limitations apply. Refer to User's Instructions before donning.

For technical assistance call or write to:

Respirex N.A., INC

20527 Marilyn Street

Spring

Texas 77388

Tel : (281) 350 - 5001

Fax : (281) 350 - 5191

Email : info@respirexna.com

Operations

Protection

Respiratory

This respirator is NIOSH approved for Type C operations. It can be worn for general purpose applications, including pharmaceutical manufacturing, chemical and pesticide handling, tank cleaning, spray painting, and other industrial or agricultural applications in which hazardous compounds are present.

This respirator is not approved for use in any atmosphere immediately dangerous to life or health (IDLH), or from which the wearer cannot escape without the aid of the respirator.

Head

Respirex Supplied-Air Respirators DO NOT provide head protection.

Face

Respirex Supplied-Air Respirators provide LIMITED face protection from flying particles or spray of hazardous liquids, but are not shatterproof.

Eyes

Respirex Supplied-Air Respirators provide LIMITED eye protection. If in doubt wear approved safety glasses or goggles at all times.

Ears

Respirex Supplied-Air Respirators DO NOT provide hearing protection. Use properly fitted earmuffs, earplugs or other protection when exposed to high noise levels

Breathing air requirements

Air quality

WARNING: This respirator must be supplied with clean, breathable air, grade D or better, at all times. This respirator does NOT purify or filter out contaminants.

Respirable, breathable air must be supplied to the point-of-attachment of the approved Respirex air supply hose. The point-of-attachment is where the air supply hose connects to the fitting that contains a pressure gauge used to monitor the pressure of air provided to the respirator wearer.

Supplied breathing air must meet the requirements of Type 1 gaseous air described in the Compressed Gas Association Commodity Specifications G-7.1 (Grade D or higher quality), as specified by Federal Law 42 CFR, Part 84, Subpart J.

The requirements for Grade D breathable air include:

- Oxygen19.5 - 23.5%
- Hydrocarbons (condensed)in mg/m³ of gas5mg/m³ max.
- Carbon monoxide10ppm max.
- Carbon dioxide1000ppm max.
- OdourNo detectable odour.
- No toxic contaminants at levels that make air unsafe to breathe.

Contact the Compressed Gas Association (1235 Jefferson Davis Highway, Arlington, VA 22202) for complete details on commodity specifications G7.1.

Air source

Locate the source of supplied air, from a breathing air compressor in a clean air environment. Locate the air source far enough from your work site to ensure the air remains contaminant-free. Always use an inlet filter on your air source.

Use suitable after-cooler/dryers with filters, and carbon monoxide monitors and alarms as necessary to assure clean, breathable air at all times.

The air should be regularly sampled to be sure that it meets Grade D requirements.

Breathing air pressure

Air pressure must be continually monitored at the point-of-attachment while operating this respirator. A reliable air pressure gauge must be present to permit you to continually monitor the pressure during actual respirator operation.

DANGER failure to supply the minimum required pressure at the point-of-attachment for your hose length and type will reduce airflow and may expose you to life threatening conditions, diseases or death.

The Breathing Air Pressure Table (see page 2) defines the air pressure ranges necessary to provide Respirex Simplair supplied respirators with air that falls within the required range of 6 - 10 cfm (170 - 280 L/min) mass flow (Ref. 42 CFR, Part 84, Subpart J).

Make sure you understand the information in the Breathing Air Pressure Table before using this respirator. Set the air pressure at the point-of-attachment within the required pressure range and air supply hose type and length.

Breathing air supply hoses and hoses fittings

NIOSH approved Respirex air supply hose(s) **MUST** be used between the breathing tube connection fitting on the wearer's belt and the point-of-attachment to the air supply.

NIOSH approved Respirex quick-disconnect fittings **MUST** be used to connect Respirex hose lengths together. Total connected hose length and number of hoses **MUST** be within the ranges specified on the Breathing Air Pressure Table (see page 2) and the respirator's NIOSH approval label (see page 1).

Pre-checking The Supplied-Air Respirator

Respirex recommend these checks are carried out in a clean area at least once per month if the blouse has not been used, and always at the start of each shift cycle, and the results of each examination must be recorded.

1. Visually inspect the blouse for any damage that may impair the correct working of the blouse.
2. Ensure that the silencer is clean and free of any contamination from the airline. The silencer must be replaced if it is contaminated to any extent.
3. The blouse is free from contamination both internally and externally.
4. The blouse has been stored correctly using all hanging points on the garment.
5. Blouse materials are free from tears and holes; pay particular attention to the seam areas.
6. Ensure that the waist belt air attachment is secure and not damaged.
7. Vision through the visor is not obstructed by scratches or scuff marks; where fitted, the outer removable visor can be replaced by fitting to the Velcro dots (see page 16).
8. The drawstring cord is intact and that the toggle gives a good tight seal around the neck.
9. Respirex recommend that the exhalation valves are part of the visual precheck. If the valve diaphragm is distorted or damaged in any way it must be replaced (see pages 16 & 17).

Donning The Supplied-Air Respirator

It is strongly recommended that before anybody attempts to wear or use a supplied-air respirator, full training is given on wearing and decontamination by a competent person, and the details of the training be recorded.

1. Connect the air supply hose to the air source supplying Grade D breathing air. (Fig. 1.).

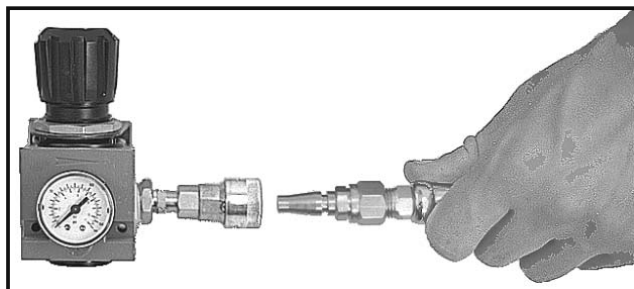


Fig. 1.

2. Connect the respirator to the air supply hose, making sure that the couplings are fitted together correctly (Fig. 2.). Pull on both hoses to make sure they are attached securely.

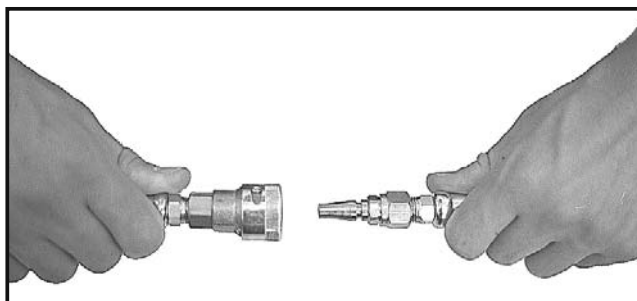


Fig. 2.

3. Adjust the air pressure at the point of attachment to within the approved pressure range. See the Breathing Air Pressure Table on page 2.
4. With the air flowing don the respirator. Ensure that the blouse sits correctly on the shoulders.
5. Pull down the back cape making sure that it lays flat.

6. On drawstring neck seal models lift up the front cape and then carefully tighten the drawstring until it is secure around the neck (Fig. 3.).



Fig. 3.

7. On under collar neck seal models lift up the front cape and then carefully tuck the under collar beneath the shirt or protective clothing collar (Fig. 4.).



Fig. 4.



Fig. 5.

Make sure that the under collar neck seal lies flat across the back and shoulders. Close the shirt or neck of the protective clothing worn over the under collar (Fig. 5.).

8. Pull down the front cape, make sure it is laying flat, then pass the waist belt through the belt loops and fasten the belt buckle (Fig. 6. or Fig. 7.), adjust the waist belt until comfortable.

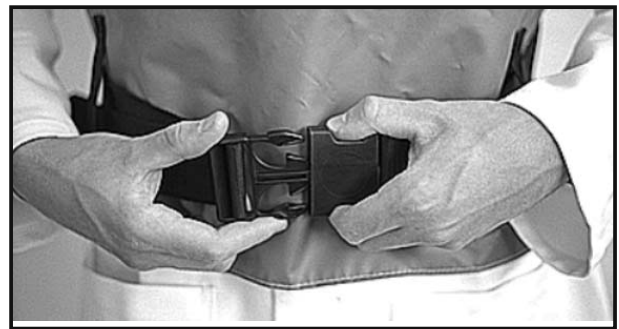


Fig. 6.



Fig. 7.

9. Re-check air pressure and adjust if necessary.
10. With air flowing into your supplied-air respirator, you are now ready to enter the work area.

Doffing The Supplied-Air Respirator

On completion of a work shift, leave the work area wearing the supplied-air respirator with the air still flowing.

Once outside the contaminated area the supplied-air respirator should be decontaminated. It can then be removed by the reverse of the donning process and disconnected from the air supply.

WARNING

LEAVE THE WORK AREA IMMEDIATELY IF:

Any supplied-air respirator or air line hose becomes damaged.

Airflow into the respirator slows down or stops.

Air pressure gauge drops below the minimum specified in the breathing air pressure table.

Breathing becomes difficult.

You become dizzy, nauseous, too hot, too cold or ill.

You taste, smell or see contaminants inside the air supplied blouse.

Your vision becomes impaired.

Proper work practice requires that you wear the supplied-air respirator until you are outside the contaminated area. Do not set the respirator down in a contaminated environment because contaminants, dirt and dust could enter the hood.

Inspection & Replacement Of Component Parts

A regular inspection and replacement program should be conducted by employees.

The Respirax supplied-air respirator and all component parts and assemblies should be inspected for damage or excessive wear before and after each use to ensure proper functioning. Immediately remove the blouse from service and replace parts or assemblies that show any sign of failure or excessive wear that might reduce the degree of protection originally provided.

Use only complete NIOSH approved Respirax components and replacement parts, refer to parts list for correct part numbers.

Removing And Re-Fitting The Control Waist Belt

1. Lay the respirator assembly on a clean flat surface and lift up the front cape.
2. Unscrew the retaining ring from the bulkhead (Fig. 8).
3. Pull the breathing air tube assembly away from the control waist belt.



Fig. 8.

4. Release the two pop studs on the waist belt (Fig. 9.) and slide the waist belt out through the belt loops. Before fitting a control waist belt check there is a new silencer fitted and that it is securely screwed into the bulkhead.

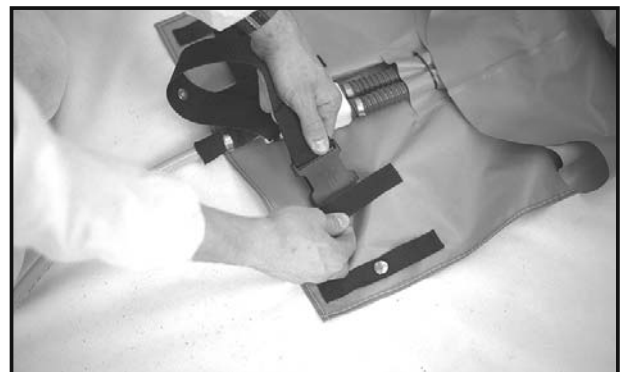


Fig. 9.

5. Slide the waist belt under the belt loops and press together the pop studs.
6. Locate the breathing air tube assembly over the bulkhead and tighten the retaining ring (Fig. 10.).

Check that the supplied-air respirator is working correctly and that there are no air leaks before use.

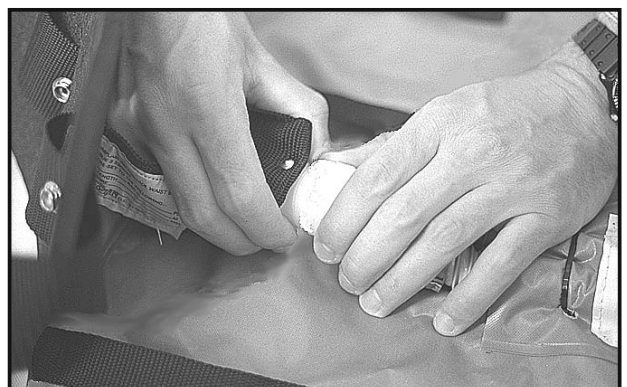


Fig. 10.

Replacing The Silencer

1. Lay the respirator assembly on a clean flat surface and lift up the front cape.
2. Unscrew the retaining ring from the bulkhead (Fig. 8.).
3. Pull the breathing air tube assembly away from the control waist belt.
4. Unscrew the silencer from the bulkhead (Fig. 11.).
5. Screw a new silencer into the bulkhead.
6. Locate the breathing air tube assembly over the bulkhead and tighten the retaining ring (Fig. 10.).



Fig. 11.

Check that the supplied-air respirator is working correctly and that there are no air leaks before use.

Replacing The Removable Visor (Rigid Visor Models Only)

1. Carefully peel the removable visor from the Velcro discs.
2. If necessary clean the hard visor before fitting a new removable visor.
3. Remove the protective film from the new removable visor.
4. Locate the centre discs at the top and bottom of the removable visor on to the centre discs on the hard visor.
5. Wrap the removable visor around each side of the hard visor, lining up all the fixing discs and pressing together (Fig. 12.).



Fig. 12.

Replacing Exhalation Valve Diaphragm

1. Using a torque driver with a 'T8' Torx bit, loosen and remove the screw from the centre of the exhalation valve, then remove the cap.
2. Carefully slide the diaphragm up the central spigot and remove from the exhalation valve body.
3. Check that there is no dust, debris or contamination of any kind in the exhalation valve body.
4. Carefully slide a new diaphragm down the central spigot until it rests evenly on the valve body. Ensure the diaphragm is correctly orientated with the ridged side uppermost (Fig. 14.).

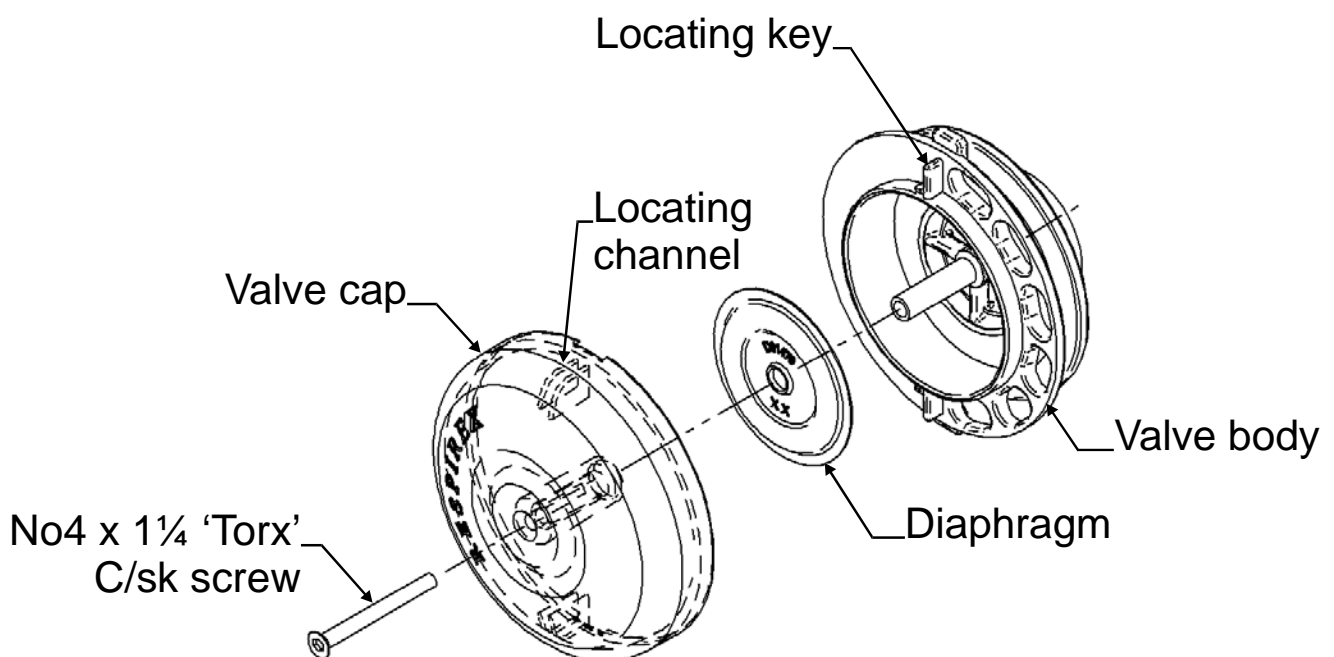


Fig. 13.

5. Replace the exhalation valve cap and ensure the two location channels engage with the locating keys on either side of the valve body. Note: When correctly located, the valve cap will not rotate independently on the valve body.
6. Replace the centre screw, turn by hand two times to engage the thread with the valve body, then fully tighten using a torque driver set to 23 ± 2 cNm.

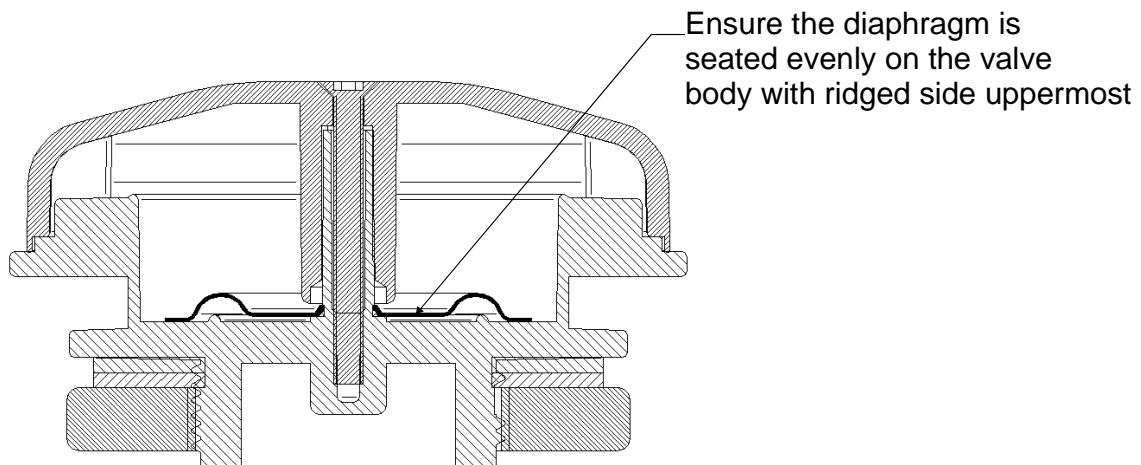


Fig. 14.

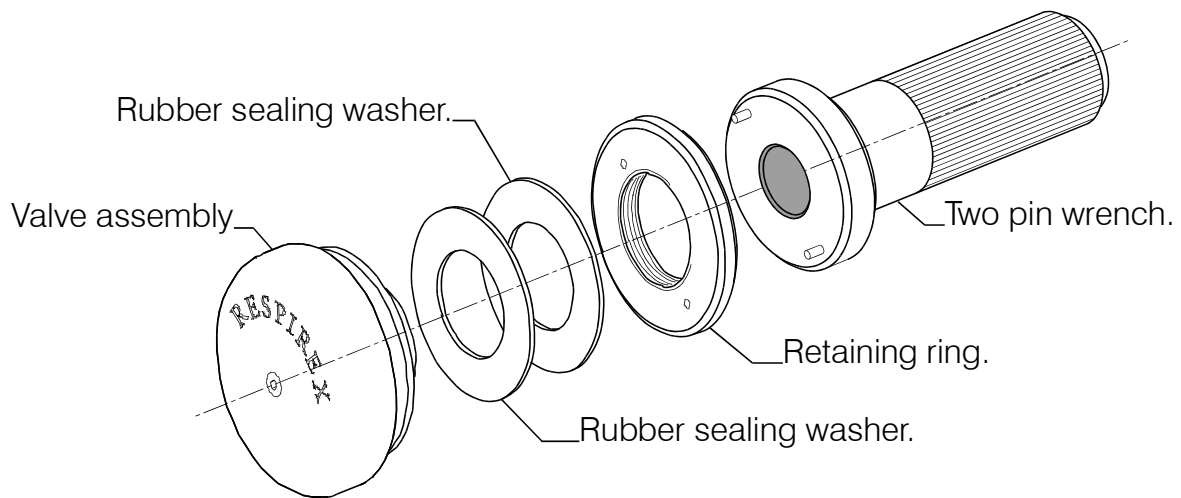


Fig. 15.

Replacing Exhalation Valve Assembly

1. Lay the hood on a clean flat surface and open fully at the waist to allow access to the interior of the hood.
2. Using a two pin wrench (Tool No. G01486) locate the pins into the two holes in the exhalation valve-retaining ring and unscrew.
3. Remove the rubber sealing washer.
4. From the outside of the hood carefully remove the exhalation valve assembly.
5. New exhalation valve assemblies will have all component parts screwed together, therefore prior to fitting remove the retaining ring and one of the rubber sealing washers.
6. Check that the remaining rubber sealing washer is laying flat against the valve body.
7. Locate the thread on the exhalation valve assembly through the hole at the rear of the hood.
8. Locate the second rubber sealing washer around the thread on the valve body so that it is lying flat against the material of the hood.
9. Hand tighten the retaining ring onto the exhalation valve.
10. Check that the exhalation valve is orientated correctly (the RespirerX lettering should be at the top of the valve and the three slots under the cover must be at the bottom).
11. Tighten the retaining ring using the two pin wrench (Tool No. G01486, see Fig. 16.).



Fig. 16.

Fitting Approved Quick Connect Couplings Onto The Air Line Hoses

1. Check that the threads at the end of the hose and the thread of the couplings are free from grease and dirt.
2. Apply a bead of hydraulic sealing compound (Part No. C00221) around the male thread of the hose.
3. Screw the coupling onto the male thread of the hose and tighten using two wrenches.
4. Allow the sealing compound to dry (following manufacturers instructions for the sealing compound).
5. After both couplings have been fitted to the length of air line hose, check that there are no air leaks before use.

Cleaning

The respirator should be cleaned and sanitized at least weekly, or more often if subjected to heavy use. Respirators used by more than one person must be cleaned, inspected and sanitized after each use. If not cleaned contamination may cause illness or disease.

Respirex do not recommend laundering the respirator. When the respirator becomes dirty it should be wiped with a sponge using warm water and a mild detergent, rinsed and air-dried.

Do not use solvents or strong cleaning and disinfecting agents as these could damage the visor and parts of the blouse.

Do not get water inside the breathing tubes or in any part of the flow control waist belt assembly.

The air supply hose should be cleaned by wiping with a sponge using warm water and a mild detergent, rinsed and air dried. Do not get water inside the air supply hose.

Storage

The Respirex Supplied-Air Respirator is supplied with a three point hanging system, there are loops on the head and shoulders that allow it to be hung on a three point hanging frame. The Respirex three point hanging frame is designed to allow the respirator to be hung without distortions to the visor. (Fig. 17.).

If the respirator is to be stored in a box or container it should be folded so that the breathing air tubes are not twisted and the visor is not distorted.

Always store the respirator in a dry condition.

The respirator should be hung in a warm room to dry and if there is a possibility of water or cleaning agent in the air system, air should be passed through the air system until it is dry.



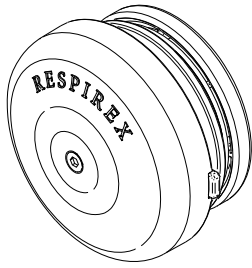
Fig. 17.

Spare Parts & Accessories For Respirex Supplied-Air Respirators

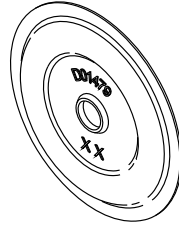
Respirex Simclair Supplied-Air respirators consist of three components : respirator blouse, air control waist belt & air supply hose. All three components must be present and correctly assembled to constitute a complete NIOSH approved respirator (Approval No. TC-19C-327).

Material Of Construction	Rigid Visor with Drawstring Neck Seal	Total Clear hood with Drawstring Neck Seal	Rigid Visor with Under Collar Neck Seal	Total Clear hood with Under Collar Neck Seal
Anti-Static Green PVC	SIMHS036/73	SIMHS024/73	SIMHS056/73	S IMHS055/73
Heavy-Weight Yellow PVC	SIMHS036/37	SIMHS024/37	SIMHS056/37	SIMHS055/37
Yellow Neoprene	SIMHS057/17	SIMHS024/17	SIMHS058/17	SIMHS055/17
Olive Butyl	SIMHS057/27	SIMHS024/27	SIMHS058/27	SIMHS055/27

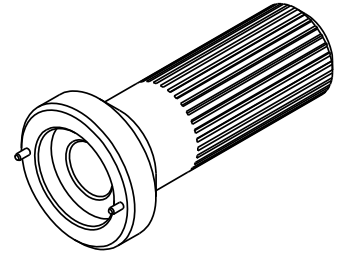
The above are replacement respirator blouses only and DO NOT include air control waist belts.



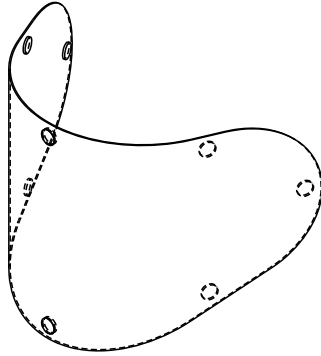
Exhalation Valve
Assembly
Part No. G01442.



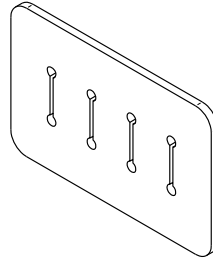
Exhalation Valve
Diaphragm
Part No. D01479.



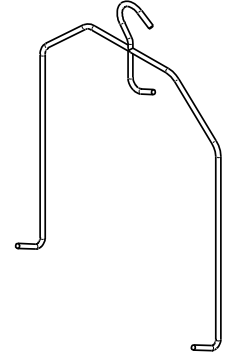
Two - Pin Wrench
Part No. G01486.



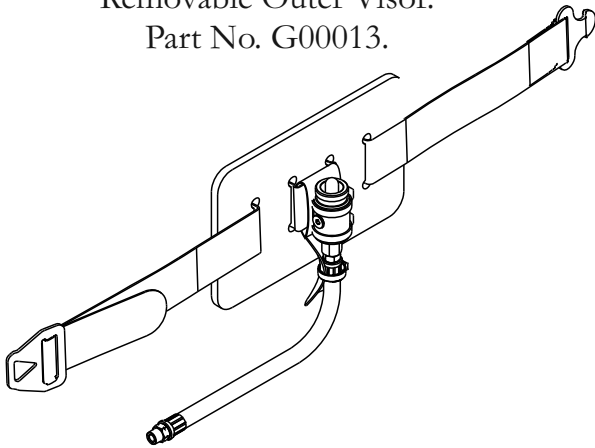
Removable Outer Visor.
Part No. G00013.



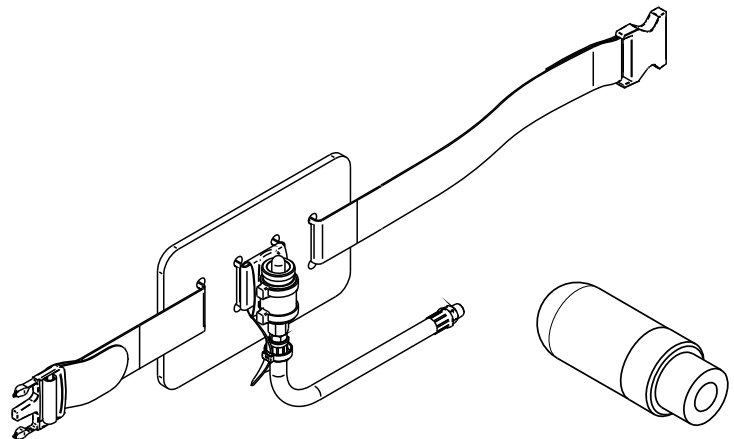
Waist Belt Back Pad
Part No. E01509.



Hanging Frame.
Part No. F00968.

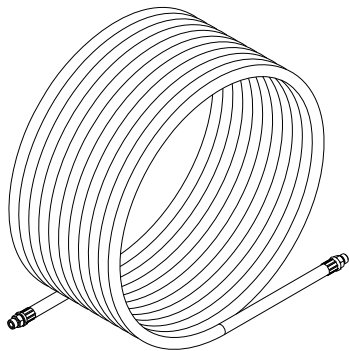


Air Control Waist Belt
with Stainless Steel buckle
Part No. G00115.

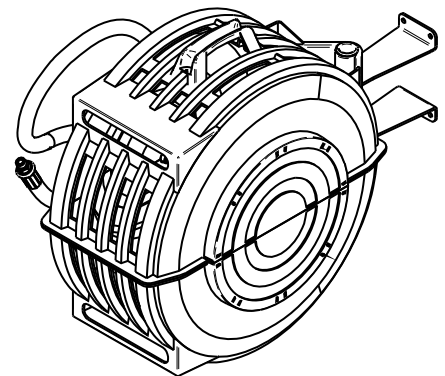


Air Control Waist Belt
with Acetal buckle
Part No. G00121.

Silencer
Part No. D01006



10ft Air Supply Hose, Part no. G00316/10.
25ft Air Supply Hose, Part no. G00316/25.
50ft Air Supply Hose, Part no. G00316/50.
100ft Air Supply Hose, Part no. G00316/100.



Retractable Hose Reel
Part No. G00314 c/w 50ft length of
air supply hose on drum & 5ft length
of hose connected to side of unit.

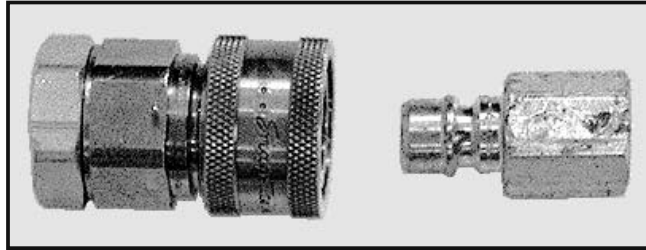
Couplings & Nipples For Air Supply Hoses

Respirex air supply hoses can be fitted with the following NIOSH approved quick-disconnect nipples and couplings.

COUPLINGS

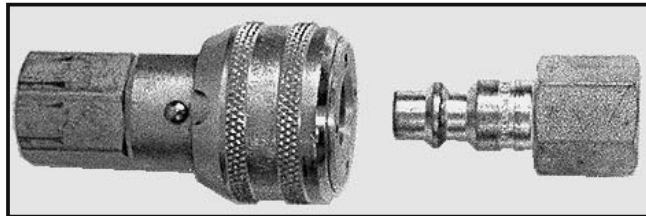
NIPPLES

D01134
SNAP-TITE



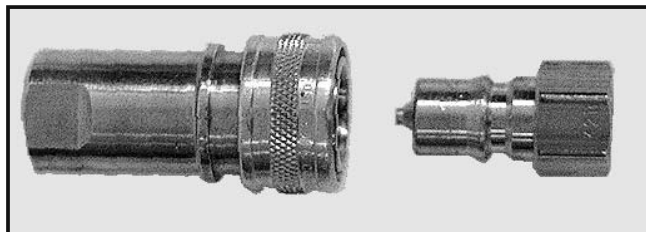
D01135
SNAP-TITE

D01136
HANSEN



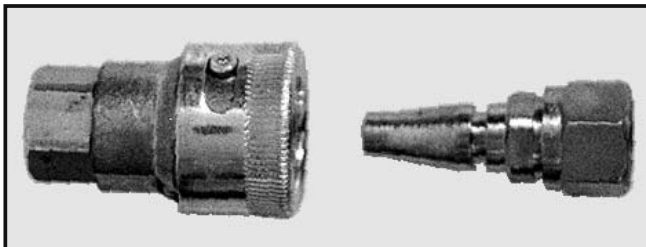
D01137
HANSEN

D01138
FOSTER



D01139
FOSTER

D01140
SCHRADER



D01141
SCHRADER

Returning Goods For Repair

IMPORTANT : RESPIREX N.A. INC. WILL NOT ACCEPT ANY RETURNED GOODS UNLESS THE FOLLOWING STEPS ARE FOLLOWED.

To return goods to Respirex N.A. Inc. for repair or replacement you MUST:

1. Contact Respirex N.A. Inc. Customer Service Department by telephone or in writing at:

Respirex N.A. Inc.
20527 Marilyn Street,
Spring, Texas 77388.
Tel : (281) 350 - 5001
Fax : (281) 350 - 5191
Email : info@respirexna.com

Describe the problem. An agent may contact you for additional information or may try to help you resolve the problem over the telephone.

2. Clean and decontaminate the product to remove any hazardous materials which may have settled on the product during use. It is against the law to ship hazardous or contaminated materials. Respirex will return any products suspected of contamination.

RESPIREX N.A., INC.

20527 Marilyn Street,
Spring,
Texas 77388

Tel : (281) 350 - 5001

Fax : (281) 350 - 5191

Email : info@respirexna.com

RESPIREX INTERNATIONAL LIMITED

Unit F Kingsfield Business Centre
Philanthropic Road
Redhill
Surrey RH1 4DP
ENGLAND

Tel : +44 (0) 1737 778600

Fax : +44(0) 1737 779441

www.respirexinternational.com