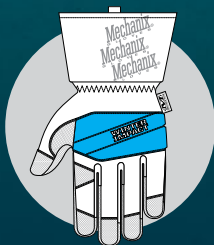


COLDWEATHER WINTER IMPACT



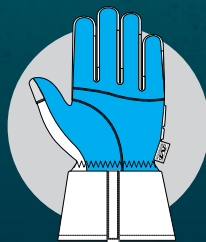
COLD WEATHER HAND PROTECTION

When the cold front moves in, reach for a pair of Winter Impact cold weather gloves to beat the elements. Comfortable micro-fleece lines the entire glove and C40 3M™ Thinsulate™ traps warm air to help regulate your body temperature in the brisk cold air. Rugged water-resistant polyester combined with an internal waterproof membrane helps keep your hands dry in rain, sleet and snow.



IMPACT PROTECTION

EVA foam knuckle padding absorbs impact and safeguards your hands from abrasion.



GRIP

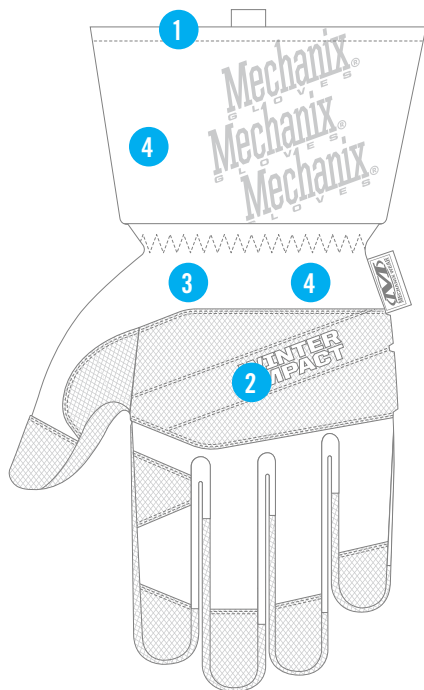
Armortex® delivers gripping power in rain, sleet and snow.

COLDWEATHER WINTER IMPACT

AVAILABLE COLORS

MCW-WI BLACK

XXXS	XXS	XS	S	M	L	XL	XXL	XXXL
05	06	07	08	09	10	11	12	13



FEATURES

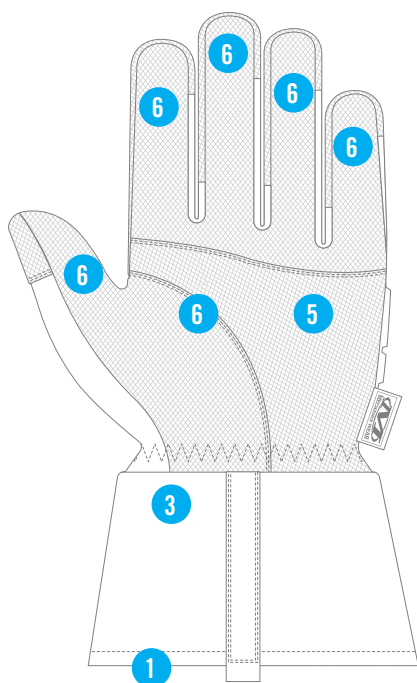
1. Extended gauntlet cuffs protect your wrists against the elements.
2. EVA foam knuckle padding absorbs impact and safeguards your hands from abrasion.
3. C40 3M™ Thinsulate™ traps warm air to help regulate your body temperature in cold environments.
4. Water-resistant polyester construction protects against the elements.
5. Waterproof membrane protects working hands in rain, sleet and snow.
6. Armortex® grip delivers gripping power in rain, sleet and snow.

CERTIFICATIONS



INTENDED USES

- Maintenance & Repair
- Material Handling



FURTHER INFORMATION AVAILABLE AT:

Ref: Cold Weather Winter Impact

USA
1-800-222-4296
CANADA
1-877-278-5822

Mechanix Wear, Inc.
28525 Witherspoon Parkway
Valencia CA 91355
www.mechanix.com

Product is imported